

## SPARE PARTS LIST

FOR

MOPED MS 50 TYPE 28-BABETTA

**babetta**



Manufactured by: Považské strojárne, Považská Bystrica, CSSR

JawaMoped.com

### TABLE OF CLASSIFICATION OF CYLINDERS

| Dimension   | $\varnothing \times H16$ | A             | B              | C              |
|-------------|--------------------------|---------------|----------------|----------------|
| Normal      | 39,00 + 0,016            | 39,00 + 0,006 | 39,006 + 0,005 | 39,011 + 0,005 |
| 1st re-bore | 39,25 + 0,016            | 39,25 + 0,006 | 39,256 + 0,005 | 39,261 + 0,005 |
| 2d re-bore  | 39,50 + 0,016            | 39,50 + 0,006 | 39,506 + 0,005 | 39,511 + 0,005 |
| 3d re-bore  | 39,75 + 0,016            | 39,75 + 0,006 | 39,756 + 0,005 | 39,761 + 0,005 |
| 4th re-bore | 40,00 + 0,016            | 40,00 + 0,006 | 40,006 + 0,005 | 40,011 + 0,005 |

### TABLE OF CLASSIFICATION OF PISTONS

| Classification of pistons | A              | B              | C              |                |
|---------------------------|----------------|----------------|----------------|----------------|
| 1st re-bore               | 39,116 — 0,006 | 39,106 — 0,006 | 39,111 — 0,005 | 39,116 — 0,005 |
| 2d re-bore                | 39,366 — 0,016 | 39,356 — 0,006 | 39,361 — 0,005 | 39,366 — 0,005 |
| 3d re-bore                | 39,616 — 0,016 | 39,606 — 0,006 | 39,611 — 0,005 | 39,616 — 0,005 |
| 4th re-bore               | 39,866 — 0,016 | 39,856 — 0,006 | 39,861 — 0,005 | 39,866 — 0,005 |

| 1    | 2        | 3         | 4             | 5   | 6      |
|------|----------|-----------|---------------|---|--------|
| Item | Part No. | Part Name | Number of pcs | Commercial reference number of Mototechna | Remark |

### Colour marking of spare parts for mopeds MS 50 type 28

The mopeds are made in the following colours:

- 2 — black
- 3 — grey
- 4 — blue
- 7 — pea green
- 9 — mercury red

When ordering mention the colour number behind the part number

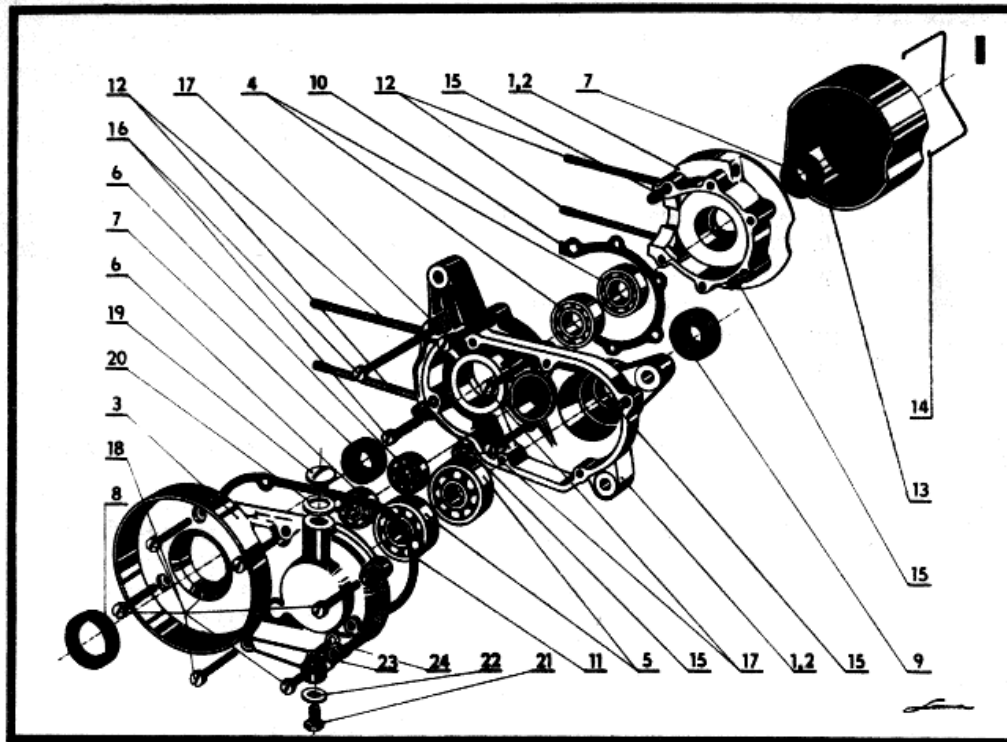
Example of order:

28-7106/2 — R. H. cowl — black

### TABLE OF CONTENTS:

1. Engine block
2. Crank gear
3. Cylinder with head
4. Slide
5. Carburettor
6. Exhaust and exhaust silencer
7. Clutch
8. Transmissions
9. Pedal transmission and chains
10. Frame
11. Wheels
12. Controls I
13. Controls II
14. Cowls, tank and seat
15. Alternator
16. Headlight
17. Ignition and cables
18. Rear lamp
19. Tools and accessories

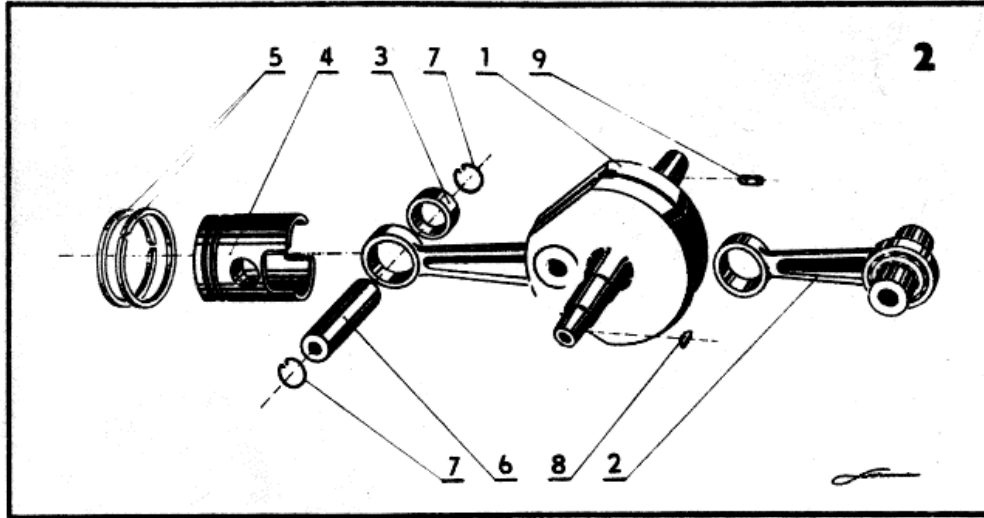
# 1. ENGINE BLOCK



JawaMoped.com

| 1       | 2   | 3 | 4          | 5 | 6 |
|---------|---|---|------------|---|---|
| 28-1001 | Engine compl. with carburettor and spark plug (without exhaust) | 1 | 602-000000 |   |   |
| 28-1101 | R. H. & L. H. box halves with bearing bushes and sealing rings  | 1 | 602-000020 |   |   |
| 28-1103 | R. H. & L. H. box halves with centring bushes only              | 1 | 602-000021 |   |   |
| 28-1131 | L. H. cover   | 1 | 602-002080 |   |   |
| 43204   | Bearing 6203/03 ČSN 024636                                      | 2 | 960-620303 |   |   |
| 43006   | Bearing 6004/C3 ČSN 024633                                      | 2 | 960-600403 |   |   |
| 43005   | Bearing 6001/C3 ČSN 024633                                      | 2 | 960-600103 |   |   |
| 50112   | Sealing ring 17 × 28 × 7 ÚNO 029401.0                           | 2 | 953-017107 |   |   |
| 50102   | Sealing ring 25 × 35 × 7 ÚNO 029401.0                           | 1 | 954-025007 |   |   |
| 50101   | Sealing ring 20 × 30 × 7 ÚNO 029401.0                           | 1 | 954-020107 |   |   |
| 28-1113 | Sealing between the boxes (Velumoid)                            | 1 | 602-090912 |   |   |
| 28-1132 | Sealing under L. H. cover (Velumoid)                            | 1 | 602-090911 |   |   |
| 28-1112 | Stud  | 4 | 602-009120 |   |   |
| 28-1116 | Ignition cover  | 1 | 602-002120 |   |   |
| 28-1118 | Key   | 1 | 602-008150 |   |   |
| 01-1115 | Centring bush   | 4 | 624-008011 |   |   |
| 20211   | Screw M6 × 45 ČSN 021131.24                                     | 2 | 974-366045 |   |   |
| 20209   | Screw M6 × 35 ČSN 021131.24                                     | 4 | 974-366035 |   |   |
| 20208   | Screw M6 × 25 ČSN 021131.24                                     | 6 | 974-366025 |   |   |
| 01-1114 | Screw   | 1 | 624-004670 |   |   |
| 01-1119 | Washer (fiber)  | 1 | 624-009860 |   |   |
| 20112   | Screw M8 × 12 ČSN 021103.24                                     | 1 | 971-268012 |   |   |
| 01-2123 | Washer  | 1 | 699-090861 |   |   |
| 20308   | Screw M5 × 10 ČSN 021146.20                                     | 1 | 975-205010 |   |   |
| 28-1141 | Sealing washer  | 1 | 602-090860 |   |   |

## 2. CRANK GEAR

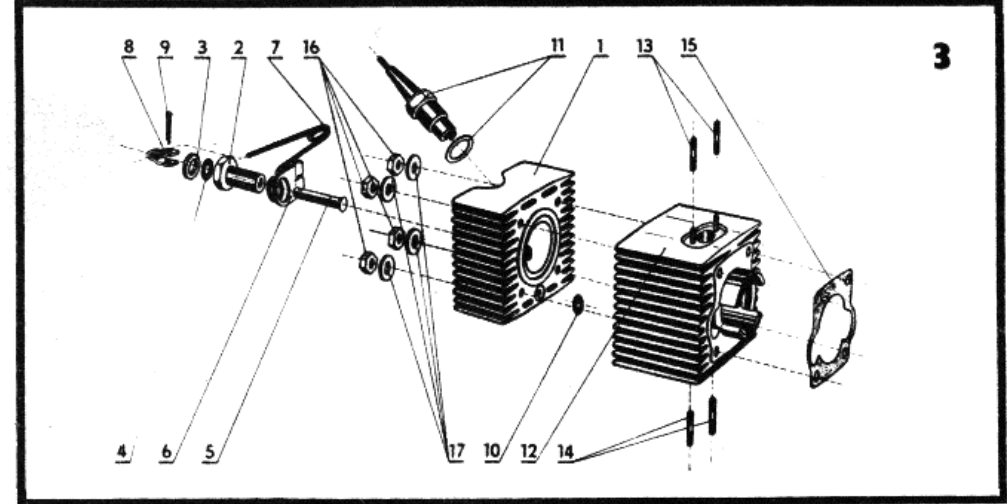


1 2 3 4 5 6

|   |            |   |   |            |                     |
|---|------------|---|---|------------|---------------------|
| 1 | 28-1205    | Crank gear without piston                 | 1 | 602-010000 | incl. the items 2-3 |
| 2 | 28-1201    | Connecting rod with pin, rollers and cage | 1 | 602-010400 |                     |
| 3 | 28-1212    | Bush of upper connecting pin eye          | 1 | 602-018010 |                     |
| 4 | 28-1218    | Piston                                    | 1 | 602-090200 |                     |
|   | 28-1218/1  | Piston 1st re-bore                        | 1 | 602-090210 |                     |
|   | 28-1218/2  | Piston 2d re-bore                         | 1 | 602-090220 |                     |
|   | 28-1218/3  | Piston 3d re-bore                         | 1 | 602-090230 |                     |
|   | 28-1218/4  | Piston 4th re-bore                        | 1 | 602-090240 |                     |
| 5 | 28-1220    | Piston ring                               | 2 | 864-039020 |                     |
|   | 28-1220/1  | Piston ring 1st re-bore                   | 2 | 864-039120 |                     |
|   | 28-1220/2  | Piston ring 2d re-bore                    | 2 | 864-039220 |                     |
|   | 28-1220/3  | Piston ring 3d re-bore                    | 2 | 864-039320 |                     |
|   | 28-1220/4  | Piston ring 4th re-bore                   | 2 | 864-040020 |                     |
| 6 | 28-1221    | Piston pin                                | 1 | 908-140032 |                     |
| 7 | 05-1222    | Lock ring                                 | 2 | 614-028510 |                     |
| 8 | 28-1228    | Key 3 × 3,7                               | 1 | 602-018220 |                     |
| 9 | 355-12-033 | Pin                                       | 1 | 635-018310 |                     |

JawaMoped.com

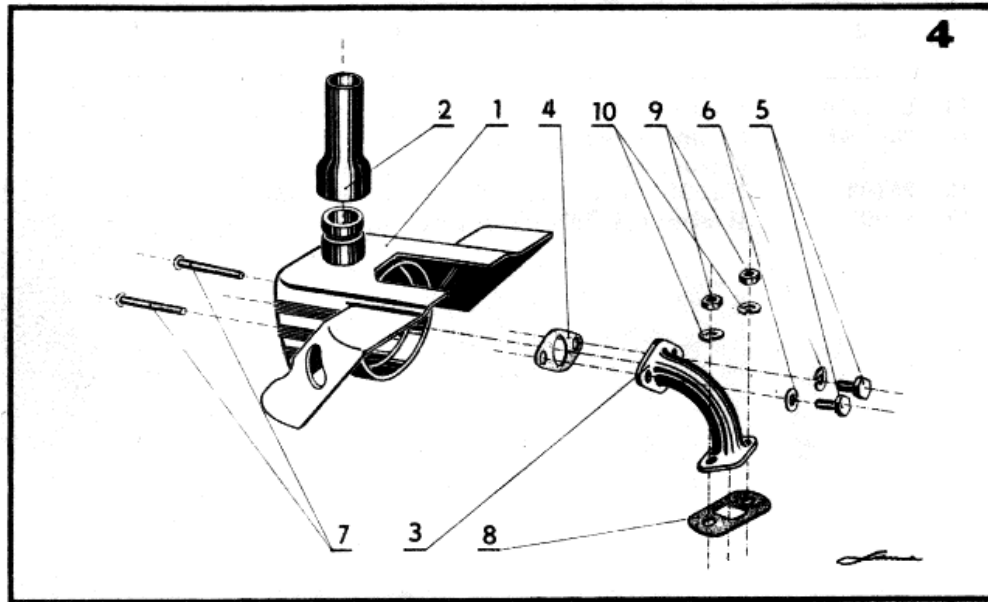
## 3. CYLINDER WITH HEAD



1 2 3 4 5 6

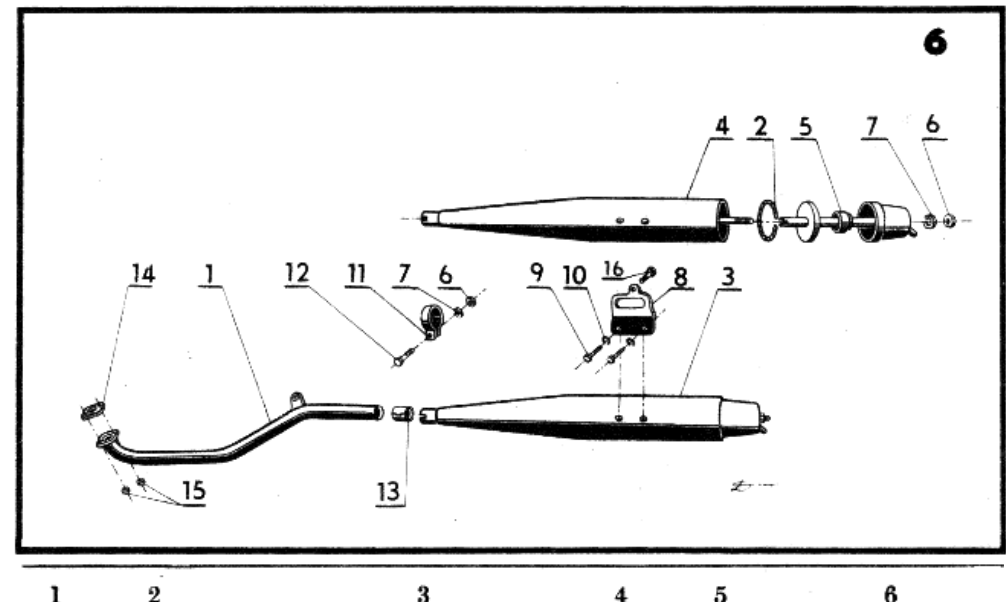
|    |         |                                   |   |            |                       |
|----|---------|-----------------------------------|---|------------|-----------------------|
| 1  | 28-1303 | Cylinder head                     | 1 | 602-020010 |                       |
| 2  | 28-1305 | Decompressor body compl.          | 1 | 602-020700 | incl. the items 3-4   |
| 3  | 28-1308 | Washer                            | 1 | 602-029650 |                       |
| 4  | 50007   | Sealing ring 8 × 4 ČSN 029280.3   | 1 |            |                       |
| 5  | 28-1314 | Valve                             | 1 | 602-024240 |                       |
| 6  | 28-1315 | Support                           | 1 | 602-029730 |                       |
| 7  | 28-1316 | Spring                            | 1 | 602-028190 |                       |
| 8  | 28-1317 | Valve clamp                       | 1 | 602-026420 |                       |
| 9  | 30018   | Split pin 1,6 × 10 ČSN 021781.09  | 1 | 984-916010 |                       |
| 10 | 50302   | Sealing ring 8 × 2 ČSN 029281.9   | 1 |            |                       |
| 11 | 62088   | Spark plug 14-5R with washer      | 1 | 199-917511 |                       |
| 12 | 28-1400 | Cylinder compl.                   | 1 | 602-000200 | incl. the items 13,14 |
| 13 | 28-1408 | Stud                              | 2 | 602-009122 |                       |
| 14 | 28-1410 | Stud                              | 2 | 602-090121 |                       |
| 15 | 28-1006 | Sealing under cylinder (Velumoid) | 1 | 602-090910 |                       |
| 16 | 25103   | Nut M6 ČSN 021401.24              | 4 | 992-401466 |                       |
| 17 | 27007   | Washer 6,4 ČSN 021701.04          | 4 | 992-701466 |                       |

#### 4. SLIDE



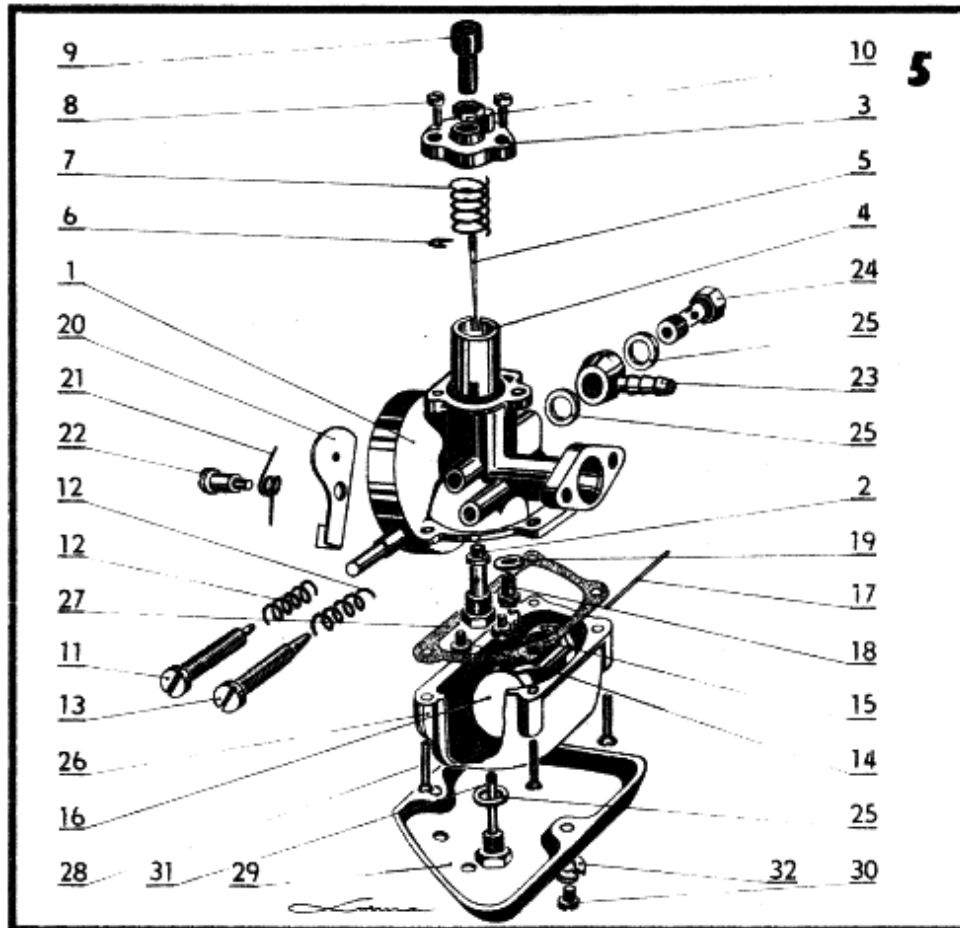
| 1  | 2       | 3                         | 4 | 5          | 6 |
|----|---------|---------------------------|---|------------|---|
| 1  | 28-1511 | Suction branch            | 1 | 602-050620 |   |
| 2  | 28-1514 | Piping                    | 1 | 602-050610 |   |
| 3  | 28-1505 | Suction piping            | 1 | 602-050621 |   |
| 4  | 28-1504 | Sealing under carburetter | 1 | 602-093910 |   |
| 5  | 20114   | Screw M5 × 12             | 2 | 971-285012 |   |
| 6  | 27401   | Washer 5,1                |   |            |   |
|    |         | ČSN 021740.24             | 2 | 992-740465 |   |
| 7  | 21020   | Screw M4 × 25             | 2 | 976-484025 |   |
|    |         | ČSN 021155.25             |   |            |   |
| 8  | 28-1008 | Insulation washer         | 1 | 602-095950 |   |
| 9  | 25101   | Nut M5 ČSN 021401.24      | 2 | 992-401465 |   |
| 10 | 27401   | Washer 5,1                | 2 | 992-740465 |   |
|    |         | ČSN 021740.04             |   |            |   |

#### 6. EXHAUST AND EXHAUST SILENCER



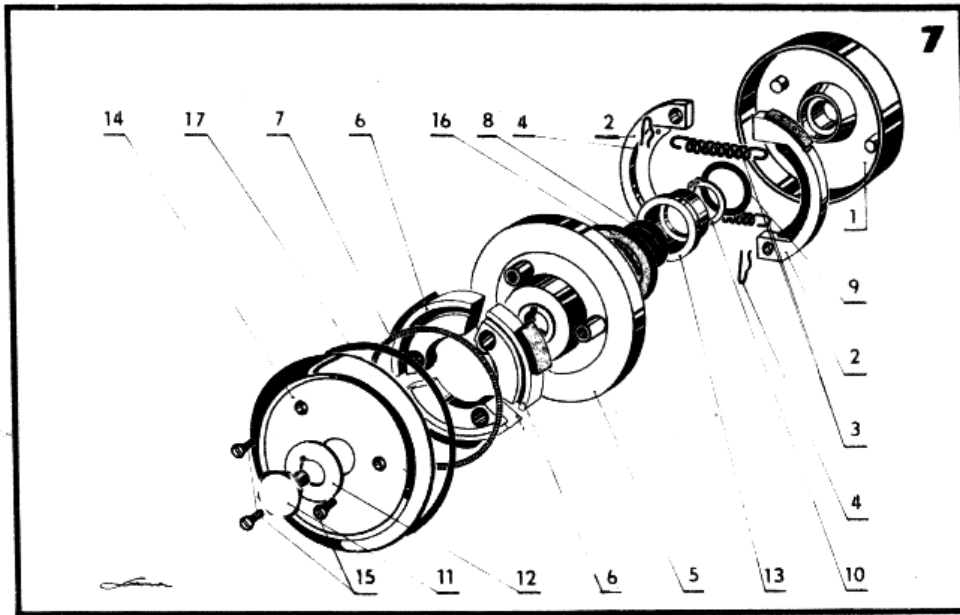
| 1  | 2       | 3                                     | 4 | 5          | 6 |
|----|---------|---------------------------------------|---|------------|---|
| 1  | 28-1604 | Exhaust knee piece<br>(chrome plated) | 1 | 602-600540 |   |
| 2  | 28-1610 | Asbestos rope                         | 1 | 932-062003 |   |
| 3  | 28-1611 | Silencer compl.                       | 1 | 602-600500 |   |
| 4  | 28-1620 | Silencer chrome plated                | 1 | 602-600520 |   |
| 5  | 28-1620 | Silencer end piece                    | 1 | 602-600570 |   |
| 6  | 25103   | Nut M6 ČSN 021401.20                  | 1 | 991-401006 |   |
| 7  | 27402   | Washer Ø 6,1                          | 2 | 991-740006 |   |
|    |         | ČSN 021740.00                         |   |            |   |
| 8  | 28-1642 | Clamp                                 | 1 | 602-602310 |   |
| 9  | 20130   | Screw M5 × 8                          |   |            |   |
|    |         | ČSN 021103.24                         | 2 | 971-265008 |   |
| 10 | 27401   | Washer 5,1                            |   |            |   |
|    |         | ČSN 021740.04                         | 4 | 992-740465 |   |
| 11 | 28-1645 | Sleeve                                | 1 | 602-602160 |   |
| 12 | 20114   | Screw M6 × 14                         | 1 | 971-206014 |   |
|    |         | ČSN 021103.20                         |   |            |   |
| 13 | 28-1649 | Sealing                               | 1 | 602-609840 |   |
| 14 | 28-1007 | Sealing under the exhaust             | 1 | 602-690850 |   |
| 15 | 25101   | Nut M6 ČSN 021401.24                  | 2 | 992-401465 |   |
| 16 | 20100   | Screw M5 × 10                         | 1 | 971-285610 |   |
|    |         | ČSN 021103.28                         |   |            |   |

## 5. CARBURETTOR



| 1  | 2         | 3  | 4 | 5          | 6 |
|----|-----------|--|---|------------|---|
| —  | 2-66232   | Carburettor JIKOV<br>2909 DC                 | 1 | 602-943000 |   |
| 1  | 2-65258   | Carburettor body compl.                      | 1 | 602-943100 |   |
| 2  | 2-3219    | Emulsion tube                                | 1 | 602-943430 |   |
| 3  | 2-65254   | Cover compl.                                 | 1 | 602-943190 |   |
| 4  | 2-21218   | Mover  | 1 | 602-943230 |   |
| 5  | 2-31155   | Mover needle                                 | 1 | 602-943290 |   |
| 6  | 2-3350    | Lock   | 1 | 602-943550 |   |
| 7  | 2-4838    | Mover spring                                 | 1 | 602-943470 |   |
| 8  | 1-2455    | Screw with lenticular<br>head                | 2 | 193-940652 |   |
| 9  | 2-2434    | Cable guide                                  | 1 | 699-943581 |   |
| 10 | 2-2516    | Nut  | 1 | 605-943710 |   |
| 11 | 2-2558    | Mover stop screw                             | 1 | 602-943640 |   |
| 12 | 2-4825    | Spring                                       | 2 | 602-943472 |   |
| 13 | 2-2503    | Regulation screw                             | 1 | 699-943614 |   |
| 14 | 1-3130/63 | Main jet                                     | 1 | 193-951063 |   |
| 15 | 2-3160/35 | Main jet (idle run)                          | 1 | 699-959335 |   |
| 16 | 2-65257   | Double float compl.                          | 1 | 602-943200 |   |
| 17 | 2-31159   | Suspension shaft                             | 1 | 602-943220 |   |
| 18 | 2-65253   | Needle valve compl.                          | 1 | 602-943450 |   |
| 19 | 2-5213    | Sealing $\varnothing$ 2,5/5,5                | 1 | 630-943840 |   |
| 20 | 2-2751    | Diaphragm                                    | 1 | 602-943240 |   |
| 21 | 2-4836    | Diaphragm spring                             | 1 | 602-943471 |   |
| 22 | 2-24145   | Diaphragm screw                              | 1 | 602-943651 |   |
| 23 | 2-2491    | Branch                                       | 1 | 630-943520 |   |
| 24 | 1-2596    | Branch screw                                 | 1 | 110-940600 |   |
| 25 | 1-5209    | Selaing $\varnothing$ 10/6,2                 | 3 | 933-880610 |   |
| 26 | 2-2122    | Float chamber                                | 1 | 602-943110 |   |
| 27 | 2-5312    | Sealing of float chamber                     | 1 | 602-943800 |   |
| 28 | 1-2455    | Screw with lenticular<br>head M4 $\times$ 14 | 4 | 193-940652 |   |
| 29 | 2-2753    | Drip tray                                    | 1 | 602-943590 |   |
| 30 | 1-4106    | Screw with cylindr. head<br>M4 $\times$ 8    | 2 | 602-943650 |   |
| 31 | 2-65255   | Overfall compl.                              | 1 | 602-943652 |   |
| 32 | 1-4308    | Spring washer 4,1                            | 2 | 110-940721 |   |

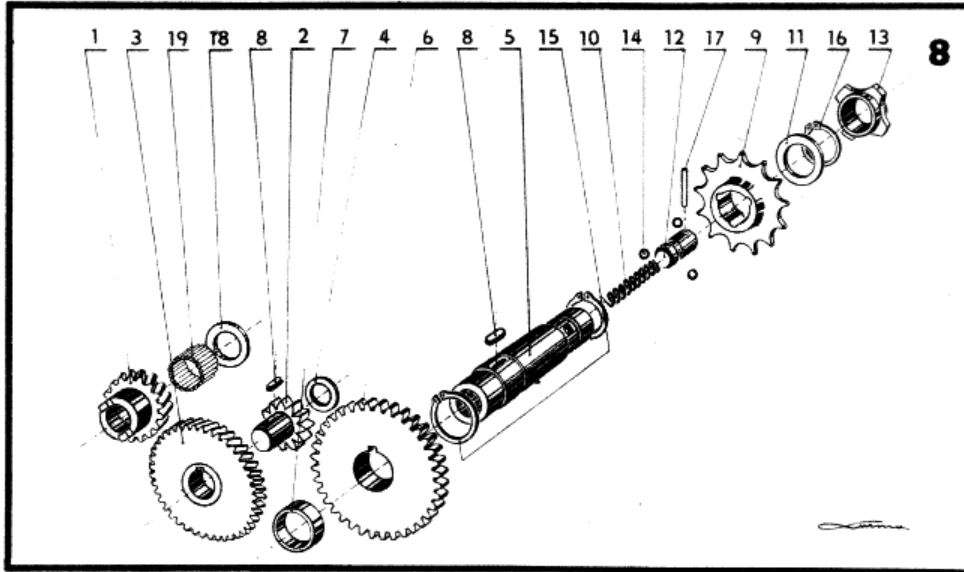
## 7. CLUTCH



1 2 3 4 5 6

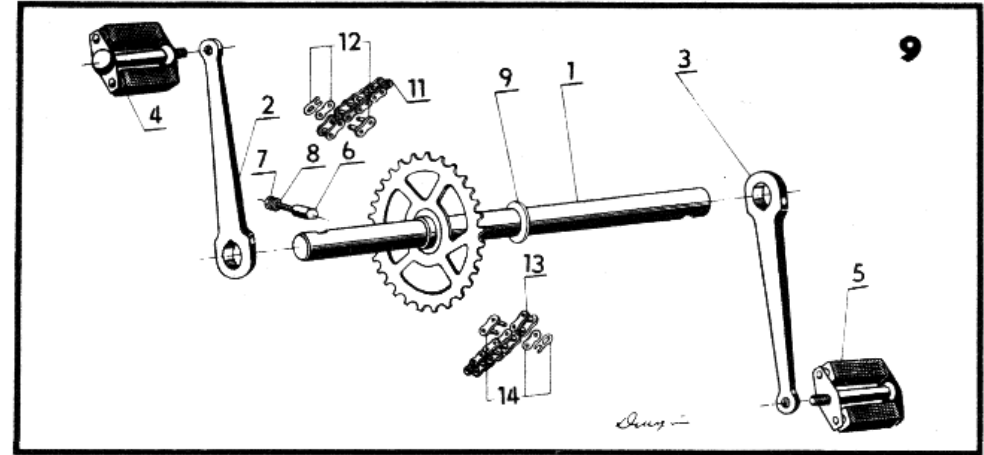
|    |         |                          |   |            |
|----|---------|--------------------------|---|------------|
| 1  | 28-2103 | Clutch drum              | 1 | 602-150680 |
| 2  | 28-2109 | Clutch jaw               | 2 | 602-150711 |
| 3  | 28-2113 | Spring                   | 2 | 602-158120 |
| 4  | 28-2114 | Lock                     | 2 | 602-158180 |
| 5  | 28-2116 | Segment guide body       | 1 | 602-150620 |
| 6  | 28-2127 | Clutch segment           | 3 | 602-150710 |
| 7  | 28-2121 | Clutch spring            | 1 | 602-158110 |
| 8  | 50115   | Sealing ring 15 × 24 × 7 |   |            |
|    |         | UN 029401.0              | 1 | 953-015107 |
| 9  | 50009   | Ring 25 × 21             |   |            |
|    |         | ČSN 029280.1             | 1 | 933-025219 |
| 10 | 34005   | Lock ring 15             | 1 | 992-930015 |
|    |         | ČSN 02 2930              |   |            |
| 11 | 28-2132 | Screw                    | 1 | 602-159010 |
| 12 | 28-2133 | Lock washer              | 1 | 602-159670 |
| 13 | 28-2136 | Bush                     | 1 | 602-158060 |
| 14 | 28-2138 | Flywheel                 | 1 | 602-010300 |
| 15 | 21022   | Screw M5 × 10            |   |            |
|    |         | ČSN 021155.20            | 3 | 976-505010 |
| 16 | 28-2126 | Ring                     | 1 | 602-159960 |
| 17 | 50305   | Sealing ring ∅ 100 × 5   | 1 | 933-210052 |

## 8. TRANSMISSION



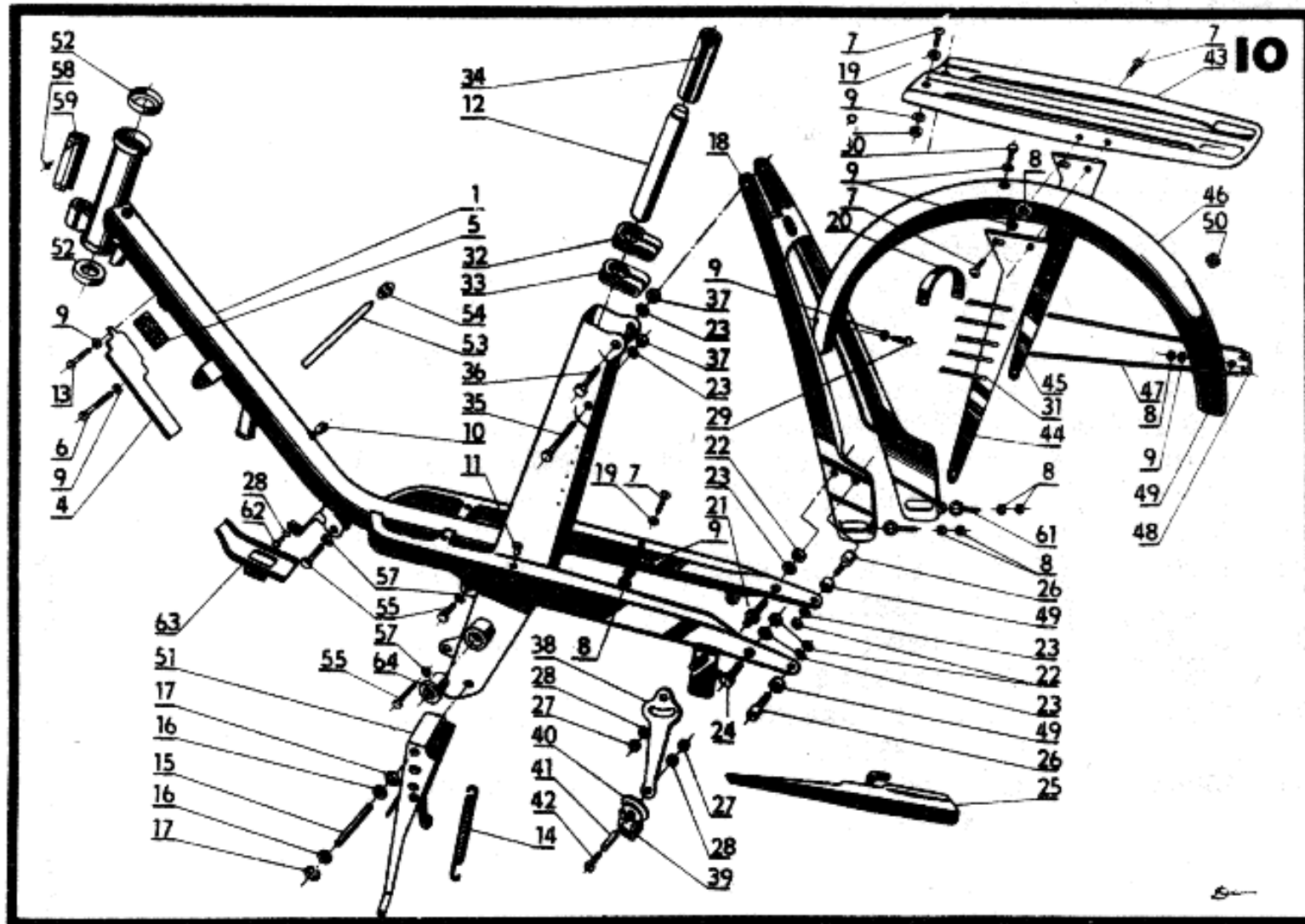
| 1  | 2       | 3  | 4 | 5          | 6 |
|----|---------|--|---|------------|---|
| 1  | 28-2205 | Gear 20 teeth                              | 1 | 602-210150 |   |
| 2  | 28-2210 | Gear 12 teeth                              | 1 | 602-210110 |   |
| 3  | 28-2211 | Gear 34 teeth                              | 1 | 602-210151 |   |
| 4  | 28-2212 | Washer                                     | 1 | 602-219660 |   |
| 5  | 28-2215 | Shaft                                      | 1 | 602-210030 |   |
| 6  | 28-2216 | Gear                                       | 1 | 602-210050 |   |
| 7  | 28-2217 | Spacer bush                                | 1 | 602-218090 |   |
| 8  | 28-2218 | Key  | 2 | 602-218210 |   |
| 9  | 28-2220 | Sprocket                                   | 1 | 602-210510 |   |
| 10 | 28-2221 | Spring                                     | 1 | 602-218110 |   |
| 11 | 28-2222 | Washer                                     | 1 | 602-219650 |   |
| 12 | 28-2225 | Disengaging pin                            | 1 | 602-216080 |   |
| 13 | 28-2226 | Control wheel                              | 1 | 602-216310 |   |
| 14 | 40003   | Ball IV. cl. $\varnothing$ 5<br>ČSN 023680 | 3 | 968-405000 |   |
| 15 | 34001   | Lock ring 19<br>ČSN 022930                 | 2 | 992-930019 |   |
| 16 | 34004   | Lock ring 18<br>ČSN 022930                 | 1 | 992-930018 |   |
| 17 | 33013   | Pin 3 x 22<br>ČSN 022150.1                 | 1 | 984-102022 |   |
| 18 | 28-2206 | Spacer washer                              | 1 | 602-219661 |   |
| 19 | 28-2207 | Needle                                     |   | 602-214860 |   |

## 9. PEDAL TRANSMISSION AND CHAIN



| 1  | 2          | 3                                    | 4 | 5          | 6 |
|----|------------|--------------------------------------|---|------------|---|
| 1  | 28-2254    | Shaft of pedals                      | 1 | 602-220520 |   |
| 2  | 70047      | L. H. Crank                          | 1 | 602-600630 |   |
| 3  | 70048      | R. H. Crank                          | 1 | 602-600631 |   |
| 4  | 70044      | L. H. Pedal                          | 1 | 602-600620 |   |
| 5  | 70045      | R. H. Pedal                          | 1 | 602-600621 |   |
| 6  | 359-22-038 | Crank key                            | 2 | 605-220210 |   |
| 7  | 25103      | Nut M6 ČSN 021401.24                 | 2 | 992-401466 |   |
| 8  | 27007      | Washer 6,4 ČSN 021701.0              | 2 | 992-701466 |   |
| 9  | 28-2268    | Washer 17                            | 2 | 602-229650 |   |
| 11 | 45006      | Chain 92 links 086-1<br>ČSN 023311.2 | 1 | 900-018012 |   |
| 12 | 45005      | Link 086-1<br>ČSN 023311.3           | 1 | 900-901181 |   |
| 13 | 45007      | Chain 82 links 081-1<br>ČSN 023311.2 | 1 | 900-010082 |   |
| 14 | 45008      | Link 081-1<br>ČSN 023311.3           | 1 | 900-901100 |   |

# 10. FRAME



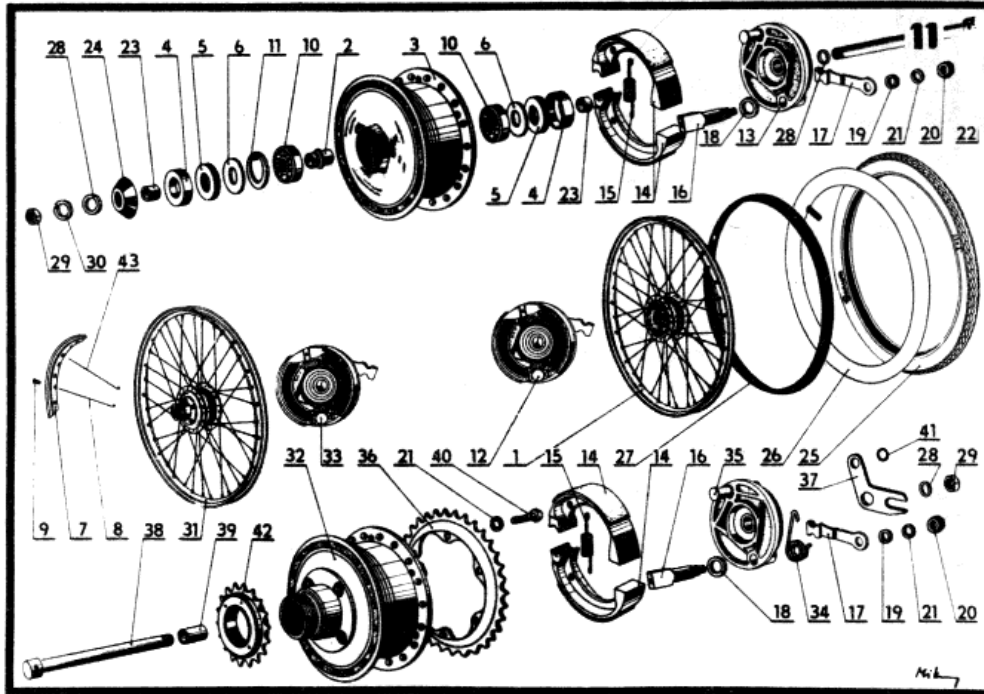


## 10. FRAME

| 1  | 2       | 3   | 4  | 5          | 6 |
|----|---------|---|----|------------|---|
| 1  | 28-3001 | Frame with plates and bushes              | 1  | 602-600010 |   |
| 4  | 28-3018 | Intake silencer cover                     | 1  | 602-050640 |   |
| 5  | 70036   | Filter netting $\varnothing 80 \times 80$ | 1  | 602-050690 |   |
| 6  | 20216   | Screw M5 $\times$ 35<br>ČSN 021131.24     | 1  | 974-365035 |   |
| 7  | 20301   | Screw M5 $\times$ 8<br>ČSN 021146.20      | 7  | 975-005008 |   |
| 8  | 25101   | Nut M5 ČSN 021401.24                      | 15 | 992-401465 |   |
| 9  | 27401   | Washer 5,1<br>ČSN 021740.04               | 17 | 992-740465 |   |
| 10 | 05-2127 | Tank supporting piece                     | 1  | 614-292800 |   |
| 11 | 05-0023 | Support                                   | 2  | 614-697800 |   |
| 12 | 28-3028 | Seat tube                                 | 1  | 602-670630 |   |
| 13 | 20225   | Screw M5 $\times$ 10<br>ČSN 021131.24     | 1  | 974-165010 |   |
| 14 | 28-3032 | Stand spring                              | 1  | 602-608120 |   |
| 15 | 28-3033 | Stand pin                                 | 1  | 602-606010 |   |
| 16 | 27010   | Washer 10,5<br>ČSN 021701.04              | 2  | 992-701670 |   |
| 17 | 34201   | Ring 7 ČSN 022929.02                      | 2  | 992-929007 |   |
| 18 | 28-3037 | Rear Strut                                | 1  | 602-602490 |   |
| 19 | 27000   | Washer 5,3<br>ČSN 021701.08               | 3  | 992-701985 |   |
| 20 | 28-3052 | Mud guard clamp                           | 1  | 602-676421 |   |
| 21 | 28-3054 | Reaction catch screw                      | 1  | 602-609090 |   |
| 22 | 25104   | Nut M8 ČSN 021401.24                      | 2  | 992-401468 |   |
| 23 | 27403   | Washer 8,2<br>ČSN 021740.04               | 4  | 992-740468 |   |
| 24 | 20109   | Screw M8 $\times$ 16<br>ČSN 021103.24     | 1  | 971-266016 |   |
| 25 | 28-3060 | Chain guard                               | 1  | 602-670210 |   |
| 26 | 28-3064 | Clamp                                     | 2  | 602-606420 |   |
| 27 | 25103   | Nut M6 ČSN 021401.24                      | 3  | 992-401466 |   |
| 28 | 27402   | Washer 6,1<br>ČSN 021740.04               | 6  | 992-740466 |   |
| 29 | 20130   | Screw M5 $\times$ 8<br>ČSN 021103.24      | 1  | 971-265008 |   |
| 30 | 20114   | Screw M5 $\times$ 12<br>ČSN 021103.24     | 2  | 971-265012 |   |
| 31 | 28-3072 | Cable (silon $\varnothing$ 2)             | 2  | 602-672750 |   |

| 1  | 2          | 3                                      | 4 | 5          | 6 |
|----|------------|--|---|------------|---|
| 32 | 28-3073    | Upper socket                           | 1 | 602-602161 |   |
| 33 | 28-3074    | Lower socket                           | 1 | 602-602162 |   |
| 34 | 28-3075    | Tube                                   | 1 | 602-608090 |   |
| 35 | 20031      | Screw M8 $\times$ 60<br>ČSN 021101.28  | 1 | 970-288660 |   |
| 36 | 20032      | Screx M8 $\times$ 65<br>ČSN 021101.28  | 1 | 970-288665 |   |
| 37 | 25105      | Nut M8 ČSN 021401.28                   | 2 | 992-401988 |   |
| 38 | 28-3203    | Roller arm                             | 1 | 602-330421 |   |
| 39 | 28-3204    | Guide                                  | 1 | 602-332860 |   |
| 40 | 28-3205    | Roller                                 | 1 | 602-330430 |   |
| 41 | 28-3206    | Bush                                   | 1 | 602-338090 |   |
| 42 | 21603      | Screw M6 $\times$ 22<br>ČSN 021135.24  | 1 | 977-066022 |   |
| 43 | 28-3301    | Rear carrier                           | 1 | 602-670510 |   |
| 44 | 28-3305    | L. H. Carrier strut                    | 1 | 602-672490 |   |
| 45 | 28-3306    | R. H. carrier strut                    | 1 | 602-672491 |   |
| 46 | 28-3707    | Rear mudguard                          | 1 | 602-670350 |   |
| 47 | 28-3353    | Rear mudguard reinforcement            | 1 | 602-670360 |   |
| 48 | 28-5045    | Clamp                                  | 2 | 602-676420 |   |
| 49 | 28-5046    | Tray                                   | 4 | 602-678580 |   |
| 50 | 50700      | Bushing 3,5 $\times$ 1<br>ČSN 633881.0 | 2 | 930-903511 |   |
| 51 | 28-3400    | Stand                                  | 1 | 602-600720 |   |
| 52 | 359-31-011 | Plate                                  | 2 | 615-600800 |   |
| 53 | 01-6052    | Clamping band                          | 1 | N          |   |
| 54 | 01-6053    | Lug                                    | 1 | 629-032770 |   |
| 55 | 21202      | Screw M8 $\times$ 42<br>ČSN 021210.24  | 3 | 972-768042 |   |
| 56 | 20100      | Screw M5 $\times$ 10<br>ČSN 021103.28  | 1 | 971-285610 |   |
| 57 | 27403      | Washer 8,2<br>ČSN 021740.04            | 3 | 992-740468 |   |
| 58 | 32103      | Nail 2,6 $\times$ 5<br>ČSN 022195.03   | 4 | 981-701005 |   |
| 59 | 28-0001    | Type nameplate PS                      | 1 | 602-606481 |   |
| 60 | 28-0005    | Nameplate JAWA                         | 1 | 602-606480 |   |
| 61 | 28-0003    | Tightener                              | 2 | 602-330420 |   |
| 62 | 20103      | Screw M6 $\times$ 12<br>ČSN 021103.24  | 3 | 971-266012 |   |
| 63 | 28-0002    | Tranzimo Protector                     | 1 | 602-908140 |   |
| 64 | 28-3036    | Bush                                   | 2 | 602-608090 |   |

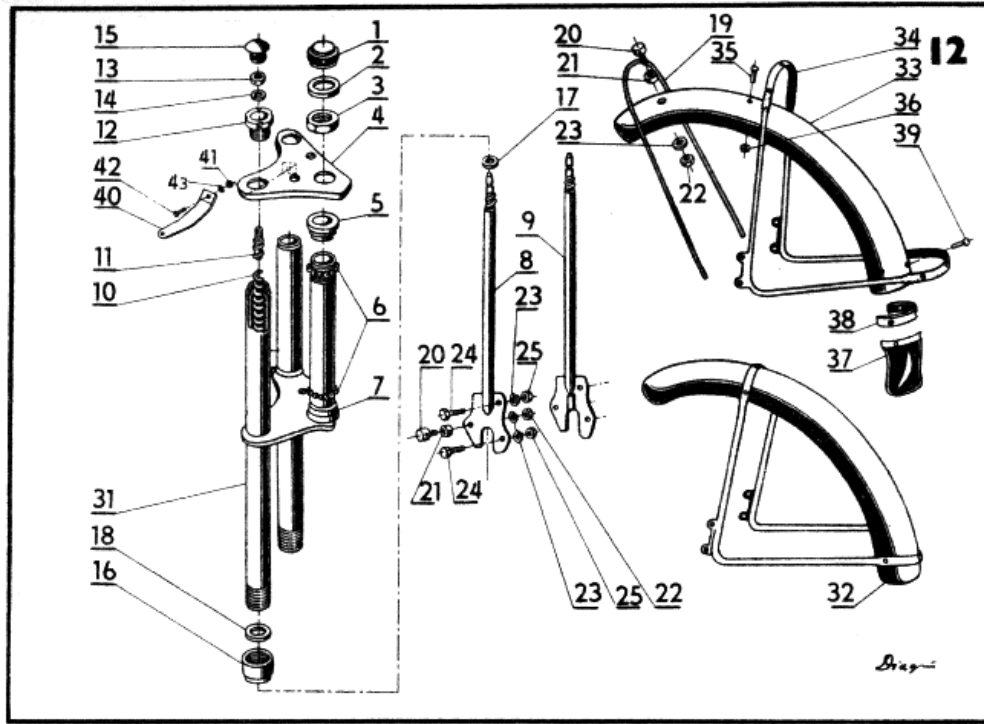
# 11. WHEELS



| 1  | 2       | 3  | 4  | 5          | 6                          |
|----|---------|--|----|------------|----------------------------|
| 18 | 28-4034 | Washer 10,2                              | 2  | 602-339661 |                            |
| 19 | 27007   | Washer 6,4 ČSN 021701.04                 | 2  | 992-701466 |                            |
| 20 | 25103   | Nut M6 ČSN 021401.24                     | 2  | 992-401466 |                            |
| 21 | 27402   | Washer 6,1<br>ČSN 021740.04              | 8  | 992-740466 |                            |
| 22 | 28-4040 | Front wheel shaft                        | 1  | 602-430510 |                            |
| 23 | 28-4041 | Set tube                                 | 3  | 602-338092 |                            |
| 24 | 28-4042 | Ring                                     | 1  | 602-438421 |                            |
| 25 | 55016   | Tyre 23 × 2"                             | 2  | 910-320302 |                            |
| 26 | 55017   | Inner tube 23 × 2"                       | 2  | 910-320000 |                            |
| 27 | 55018   | Insert 23"                               | 2  | 910-000011 |                            |
| 28 | 27011   | Washer 13<br>ČSN 021701.04               | 3  | 992-701472 |                            |
| 29 | 25115   | Nut M12 × 1,25<br>ČSN 021401.24          | 2  | 992-401372 |                            |
| 30 | 27405   | Washer 12,2<br>ČSN 021740.04             | 1  | 992-740472 |                            |
| 31 | 28-4053 | Rear wheel hub with rim                  | 1  | 602-330710 | incl. it.                  |
| 32 | 28-4054 | Rear wheel hub                           | 1  | 602-330010 | 2,4-11,32                  |
| 33 | 28-4074 | Rear brake cover compl.                  | 1  | 602-330110 | incl. it.<br>14-21, 34, 35 |
| 34 | 28-4073 | Spring                                   | 1  | 602-338180 |                            |
| 35 | 28-4076 | Brake cover                              | 1  | 602-330130 |                            |
| 36 | 28-4091 | Sprocket                                 | 1  | 602-330410 |                            |
| 37 | 28-4092 | Rear brake reaction catch                | 1  | 602-330550 |                            |
| 38 | 28-4095 | Rear wheel shaft                         | 1  | 602-330510 |                            |
| 39 | 28-4097 | Spacer tube                              | 1  | 602-338093 |                            |
| 40 | 21401   | Screw M6 × 16<br>ČSN 0212007.24          | 6  | 973-366016 |                            |
| 41 | 34402   | Ring 10 ČSN 022925.2                     | 1  | 992-925010 |                            |
| 42 | 70040   | Idling pinion 18 teeth<br>L. H. M 35 × 1 | 1  | 602-330411 |                            |
| 43 | 28-4021 | Spoke M3 × 198                           | 36 | 602-330600 |                            |

| 1  | 2       | 3                               | 4  | 5          | 6               |
|----|---------|---------------------------------|----|------------|-----------------|
| 1  | 28-4003 | Front wheel hub with rim        | 1  | 602-430710 | incl. it. 2-11  |
| 2  | 28-4004 | Spacer bush                     | 2  | 602-338091 |                 |
| 3  | 28-4005 | Front wheel hub                 | 1  | 602-430010 |                 |
| 4  | 28-4008 | Sealing ring plate              | 4  | 602-338580 |                 |
| 5  | 28-4009 | Sealing ring                    | 4  | 602-393960 |                 |
| 6  | 28-4010 | Washer                          | 4  | 602-339660 |                 |
| 7  | 28-4015 | Rim 23 × 2"<br>ČSN 303711       | 2  | 602-330740 |                 |
| 8  | 35001   | Spoke M3 × 198<br>ONA 307650.12 | 36 | 995-030198 |                 |
| 9  | 25001   | Nut M3 ONA 307653.12            | 72 | 995-900030 |                 |
| 10 | 43001   | Bearing 6001 ČSN 024633         | 4  | 960-600100 |                 |
| 11 | 34104   | Ring 28 ČSN 022931              | 3  | 992-931028 |                 |
| 12 | 28-4024 | Front brake cover compl.        | 1  | 602-430110 | incl. it. 13-21 |
| 13 | 28-4026 | Brake cover                     | 1  | 602-430130 |                 |
| 14 | 28-4027 | Brake jaw compl.                | 4  | 602-330140 |                 |
| 15 | 28-4031 | Brake spring                    | 4  | 602-338120 |                 |
| 16 | 28-4032 | Brake cam                       | 2  | 602-330160 |                 |
| 17 | 28-4033 | Disengaging lever               | 2  | 602-330170 |                 |

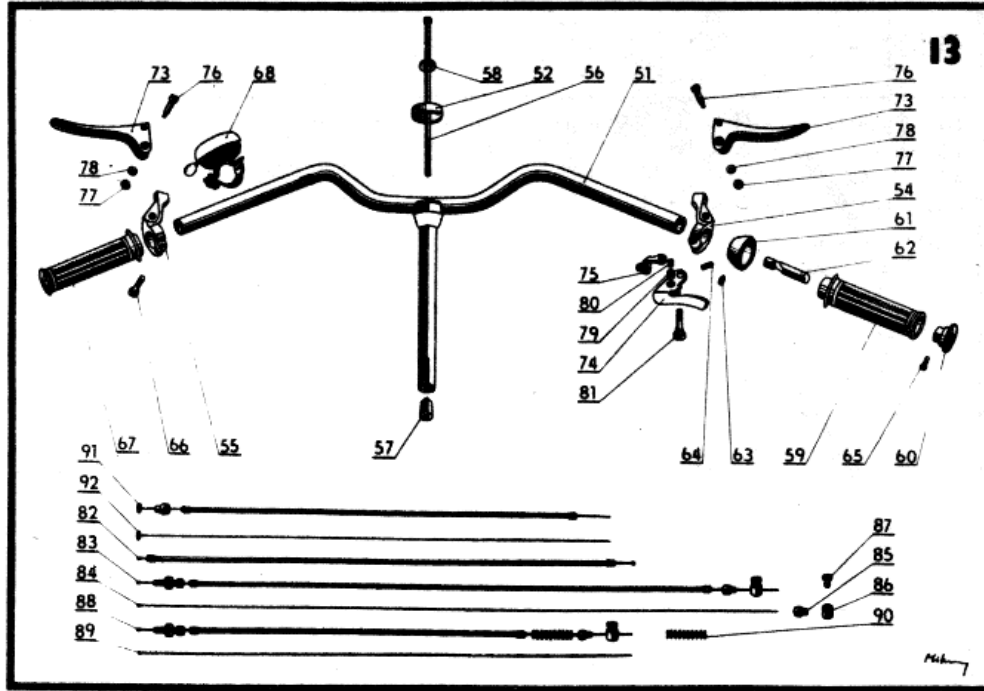
## 12. CONTROLS I



| 1  | 2       | 3                                    | 4 | 5          | 6           |
|----|---------|--------------------------------------|---|------------|-------------|
| 15 | 28-5037 | Plug                                 | 2 | 602-454690 |             |
| 16 | 28-5040 | Sealing nut                          | 2 | 602-459392 |             |
| 17 | 50003   | Sealing ring 20 × 16<br>ČSN 029280.1 | 2 | 933-020169 |             |
| 18 | 28-5042 | Gasket                               | 2 | 602-495960 |             |
| 19 | 28-5044 | Mudguard reinforcement               | 1 | 602-670320 |             |
| 20 | 28-5045 | Clamp                                | 4 | 602-676420 |             |
| 21 | 28-5046 | Cup                                  | 4 | 602-678580 |             |
| 22 | 25202   | Nut M5 ČSN 021403.24                 | 4 | 992-403065 |             |
| 23 | 27401   | Washer 5,1<br>ČSN 021740.04          | 8 | 992-740465 |             |
| 24 | 20100   | Screw M5 × 10<br>ČSN 021103.28       | 4 | 971-285610 |             |
| 25 | 25101   | Nut M5 ČSN 021401.24                 | 4 | 992-401465 |             |
| 31 | 28-5100 | Front suspension compl.              | 1 | 602-450550 |             |
| 32 | 28-5716 | Front mudguard compl.                | 1 | 602-670300 | incl. items |
| 33 | 28-5718 | Front mudguard                       | 1 | 602-670301 | 32-39       |
| 34 | 28-5155 | Front mudguard strut                 | 1 | 602-670310 |             |
| 35 | 31018   | Rivet 4 × 6<br>ČSN 022301.03         | 3 | 988-004006 |             |
| 36 | 27002   | Washer 4,3<br>ČSN 021701.04          | 3 | 992-701464 |             |
| 37 | 28-5161 | Apron                                | 1 | 602-679950 |             |
| 38 | 28-5162 | Adapter                              | 1 | 602-679750 |             |
| 39 | 31021   | Rivet 4 × 10<br>ČSN 022301.03        | 3 | 988-004010 |             |
| 40 | 28-5047 | Headlight holder                     | 1 | 602-452310 |             |
| 41 | 25118   | Nut M6                               | 1 | 991-401006 |             |
| 42 | 20144   | Screw M6 × 14                        | 1 | 971-206014 |             |
| 43 | 27412   | Washer 6,1                           | 1 | 991-740006 |             |

| 1  | 2          | 3                           | 4  | 5          | 6 |
|----|------------|-----------------------------|----|------------|---|
| 1  | 28-5012    | Nut                         | 1  | 602-459391 |   |
| 2  | 28-5013    | Washer 27                   | 1  | 602-459510 |   |
| 3  | 151-41-007 | Nut                         | 1  | 659-459210 |   |
| 4  | 28-5016    | Upper goggles               | 1  | 602-450540 |   |
| 5  | 28-5018    | Cup                         | 1  | 602-450600 |   |
| 6  | 40001      | Ball III 5 ČSN 023680       | 42 | 968-405000 |   |
| 7  | 359-41-034 | Cup                         | 1  | 615-450600 |   |
| 8  | 28-5022    | Slide piece L. H. compl.    | 1  | 602-450640 |   |
| 9  | 28-5023    | R. H. slide piece compl.    | 1  | 602-450650 |   |
| 10 | 28-5032    | Spring                      | 2  | 602-458110 |   |
| 11 | 28-5033    | Upper spring catch          | 2  | 602-456410 |   |
| 12 | 28-5034    | Nut                         | 2  | 602-459390 |   |
| 13 | 25103      | Nut M6 ČSN 021401.24        | 4  | 992-401466 |   |
| 14 | 27402      | Washer 6,1<br>ČSN 021740.04 | 4  | 992-740466 |   |

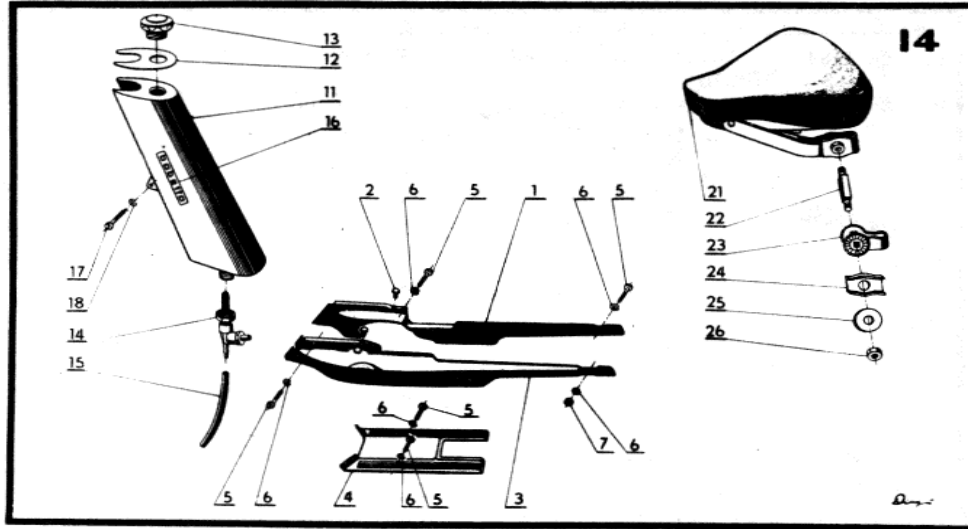
### 13. CONTROLS II



| 1  | 2          | 3                                  | 4 | 5          | 6                         |
|----|------------|------------------------------------|---|------------|---------------------------|
| 64 | 20602      | Screw M6 × 5<br>ČSN 021181.24      | 1 | 977-666005 |                           |
| 65 | 21007      | Screw M5 × 10<br>ČSN 021155.24     | 1 | 976-865010 |                           |
| 66 | 20325      | Screw M5 × 22<br>ČSN 021146.20 Cr. | 1 | 975-085622 |                           |
| 67 | 28-5223    | L. H. rubber grip                  | 1 | 658-591950 |                           |
| 68 | 70042      | Ring                               | 1 |            |                           |
| 73 | 28-5227    | Brake lever                        | 2 | 602-500940 |                           |
| 74 | 28-5230    | Decompressor lever                 | 1 | 602-500960 |                           |
| 75 | 28-5231    | Decompressor arm                   | 1 | 602-502312 |                           |
| 76 | 28-5234    | Screw                              | 2 | 602-509090 |                           |
| 77 | 25201      | Nut M4 ČSN 021403.24               | 2 | 992-403064 |                           |
| 78 | 27002      | Washer 4,3<br>ČSN 021701.04        | 2 | 992-701464 |                           |
| 79 | 353-46-031 | Endpiece                           | 1 | 659-522780 |                           |
| 80 | 550-46-030 | Screw                              | 1 | 614-529090 |                           |
| 81 | 28-5238    | Screw                              | 1 | 602-509091 |                           |
| 82 | 28-5240    | Gas bowden compl.                  | 1 | 602-500870 |                           |
| 83 | 28-5246    | Rear brake bowden compl.           | 1 | 602-520900 |                           |
| 84 | 28-5247    | Cable compl.                       | 1 | 602-522750 |                           |
| 85 | 28-5271    | Support                            | 2 | 602-522780 |                           |
| 86 | 353-46-031 | End piece                          | 2 | 659-522780 |                           |
| 87 | 550-46-030 | Screw                              | 2 | 614-529090 |                           |
| 88 | 28-5255    | Front brake bowden compl.          | 1 | 602-500900 | incl. items 85-87, 89, 90 |
| 89 | 28-5256    | Cable compl.                       | 1 | 602-522751 |                           |
| 90 | 28-5272    | Spring                             | 1 | 602-508110 |                           |
| 91 | 28-5264    | Decompressor bowden compl.         | 1 | 602-500920 | incl. items 92            |
| 92 | 28-5265    | Cable compl.                       | 1 | 602-522752 |                           |

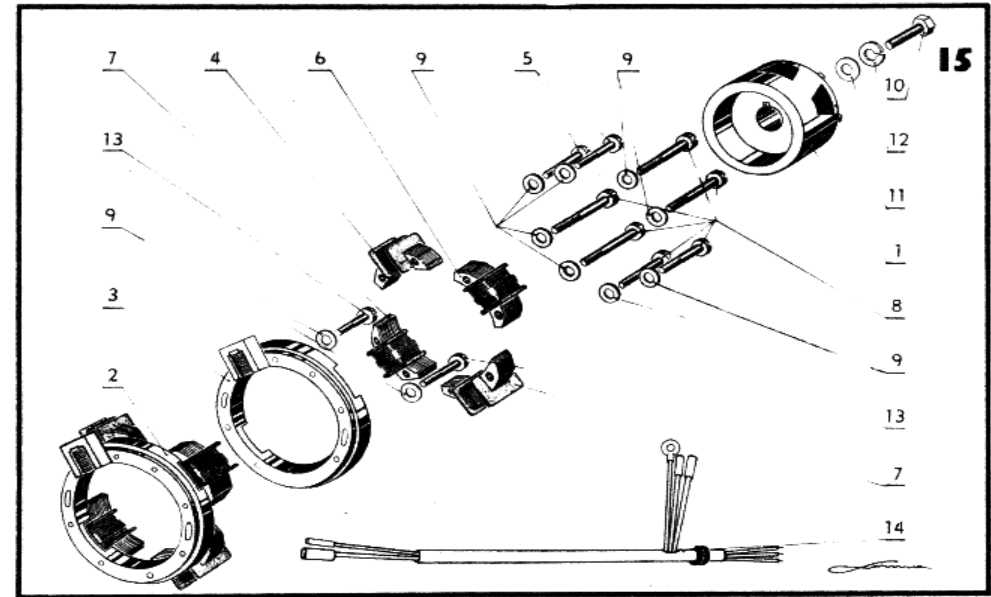
| 1  | 2          | 3                           | 4 | 5          | 6 |
|----|------------|-----------------------------|---|------------|---|
| 51 | 28-5201    | Handlebars                  | 1 | 602-500800 |   |
| 52 | 28-5216    | Piece with tube             | 1 | 602-502120 |   |
| 54 | 28-5209    | R. H. lever holder          | 1 | 602-502310 |   |
| 55 | 28-5210    | L. H. lever holder          | 1 | 602-502311 |   |
| 56 | 28-5213    | Handlebars spindle          | 1 | 602-509080 |   |
| 57 | 550-46-022 | Handlebars cone             | 1 | 615-502890 |   |
| 58 | 27005      | Washer 8,4<br>ČSN 021701.08 | 1 | 992-701988 |   |
| 59 | 353-46-101 | Twist grip                  | 1 | 658-500820 |   |
| 60 | 359-46-101 | Plug                        | 1 | 615-504680 |   |
| 61 | 353-46-105 | Ring with key               | 1 | 658-508530 |   |
| 62 | 353-46-112 | Catch                       | 1 | 658-500840 |   |
| 63 | 353-46-109 | Screw                       | 1 | 637-509091 |   |

## 14. COWLS, TANK AND SEAT



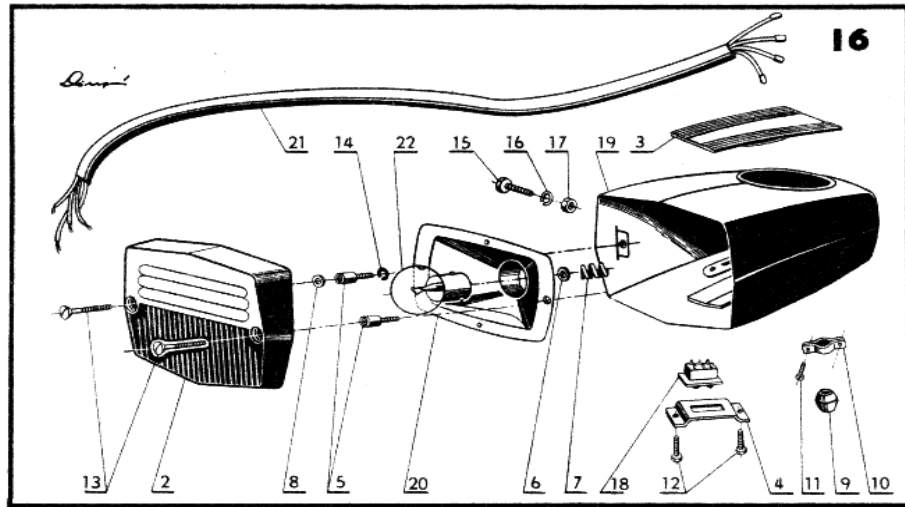
|    |             |                                 |   |            |                      |
|----|-------------|---------------------------------|---|------------|----------------------|
| 1  | 28-7106     | R. H. cowl                      | 1 | 602-670160 |                      |
| 2  | 05-0023     | Support (rubber stop)           | 2 | 614-697800 |                      |
| 3  | 28-7116     | L. H. cowl                      | 1 | 602-670150 |                      |
| 4  | 28-7122     | Upper cowl                      | 1 | 602-670240 |                      |
| 5  | 20206       | Screw M5 × 12<br>ČSN 021131.28  | 8 | 974-185612 |                      |
| 6  | 27401       | Washer 5,1<br>ČSN 021740.04     | 8 | 992-740564 |                      |
| 7  | 25101       | Nut M5                          | 1 | 991-401005 |                      |
| 11 | 28-7205     | Tank                            | 1 | 602-610020 |                      |
| 12 | 28-7218     | Cover                           | 1 | 602-619960 |                      |
| 13 | 05-3340     | Plug                            | 1 | 614-614013 |                      |
| 14 |             | Discharge cock 14 K/B<br>"2791" | 1 | 602-691020 |                      |
| 15 | 28-7227     | Hose                            | 1 | 930-540558 |                      |
| 16 | 28-7229     | Babetta nameplate               | 2 | 602-676460 |                      |
| 17 | 20206       | Screw M5 × 12<br>ČSN 021131.28  | 2 | 974-185612 |                      |
| 18 | 27000       | Washer 5,3<br>ČSN 021701.08     | 2 | 992-701985 |                      |
| 21 | 019999      | Seat compl.                     | 1 | 602-697000 | incl. items<br>12-26 |
| 22 | 302-620.011 | Bolt                            | 1 | 602-697200 |                      |
| 23 | 420-620.007 | Socket of seat fitting          | 1 | 602-697240 |                      |
| 24 | 50-3200504  | Adapter 28                      | 2 | 602-697260 |                      |
| 25 | 100.620.030 | Washer 28                       | 2 | 602-697260 |                      |
| 26 | 25104       | Nut M8 ČSN 021401               | 2 | 992-401468 |                      |

## 15. ALTERNATOR



|    |         |                                |    |            |                           |
|----|---------|--------------------------------|----|------------|---------------------------|
| —  | 28-6000 | Alternator                     | 1  | 602-908010 | incl. it. 1, 2,<br>13, 14 |
| 1  | 28-6002 | Rotor                          | 1  | 602-908130 |                           |
| 2  | 28-6010 | Stator compl.                  | 1  | 602-908120 |                           |
| 3  | 28-6011 | Stator carrier                 | 1  | 602-908100 |                           |
| 4  | 28-6020 | Ignition pole                  | 1  | 602-908350 |                           |
| 5  | 20201   | Screw M4 × 20<br>ČSN 021131.24 | 2  | 974-364020 |                           |
| 6  | 28-6027 | Light pole I                   | 1  | 602-908351 |                           |
| 7  | 28-6028 | Light pole II                  | 2  | 602-908352 |                           |
| 8  | 20202   | Screw M4 × 30<br>ČSN 021131.24 | 6  | 974-364030 |                           |
| 9  | 27400   | Washer 4,1<br>ČSN 021740.04    | 10 | 992-740464 |                           |
| 10 | 20131   | Screw M5 × 25<br>ČSN 021103.24 | 1  | 971-265025 |                           |
| 11 | 27401   | Washer 5,1<br>ČSN 021740.04    | 1  | 992-740465 |                           |
| 12 | 27003   | Washer 5,3<br>ČSN 021701.04    | 1  | 992-701465 |                           |
| 13 | 20247   | Screw M4 × 22<br>ČSN 021131.24 | 2  | 974-364022 |                           |
| 14 | 28-6226 | Alternator wiring              | 1  | 602-030500 |                           |

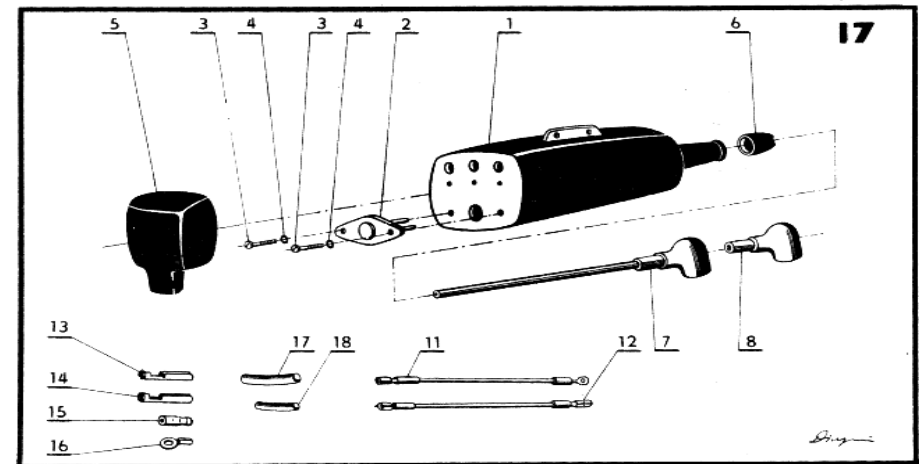
## 16. HEADLIGHT



| 1           | 2           | 3                                  | 4          | 5                | 6 |
|-------------|-------------|------------------------------------|------------|------------------|---|
| 44331199101 | Headlight   | 1                                  | 602-920000 | incl. items 2—21 |   |
| 2           | 08-7682.09  | Cover                              | 1          | 602-920240       |   |
| 3           | 08-7113.16  | Cover                              | 1          | 602-920110       |   |
| 4           | 08-5830.27  | Adapter                            | 1          | 602-920600       |   |
| 5           | 08-0060.14  | Screw with inner screw thread      | 2          | 602-920730       |   |
| 6           | 08-7210.24  | Insulating washer                  | 1          | 193-922301       |   |
| 7           | 08-4500.02  | Compression spring                 | 1          | 616-920570       |   |
| 8           | 08-1050.26  | Lock washer                        | 2          | 110-922770       |   |
| 9           | N           | Bushing 3 × 0,8<br>AJN 3140.0      | 1          | 132-924801       |   |
| 10          | 408-5229.59 | Clamp                              | 2          | 602-920400       |   |
| 12          | 2876.74     | Screw M3 × Sd8<br>ČSN 021146.89    | 2          | 602-920731       |   |
| 13          | 408-0210.09 | Screw M4 × 16 Sd8<br>ČSN 021155.80 | 2          | 602-920732       |   |
| 14          | 2882.30     | Washer                             | 2          | N                |   |
| 15          | 2876.78     | Screw M6 × 16 Sd8<br>ČSN 021103.24 | 1          | N                |   |
| 16          | 2882.38     | Washer                             | 1          | 602-920770       |   |
| 17          | 2861.02     | Nut                                | 1          | 602-920750       |   |
| 18          | 4231.80     | Switch                             | 1          | 602-920390       |   |
| 19          | 208-8031.04 | Bush                               | 1          | N                |   |
| 20          | 408-8070.61 | Parabolic mirror                   | 1          | 602-920160       |   |
| 21          | 408-4981.02 | Cable                              | 1          | N                |   |
| 22          | 60304       | Lamp PS 25—1. 6V,<br>21W, Ba 15s   | 1          | 909-112115       |   |

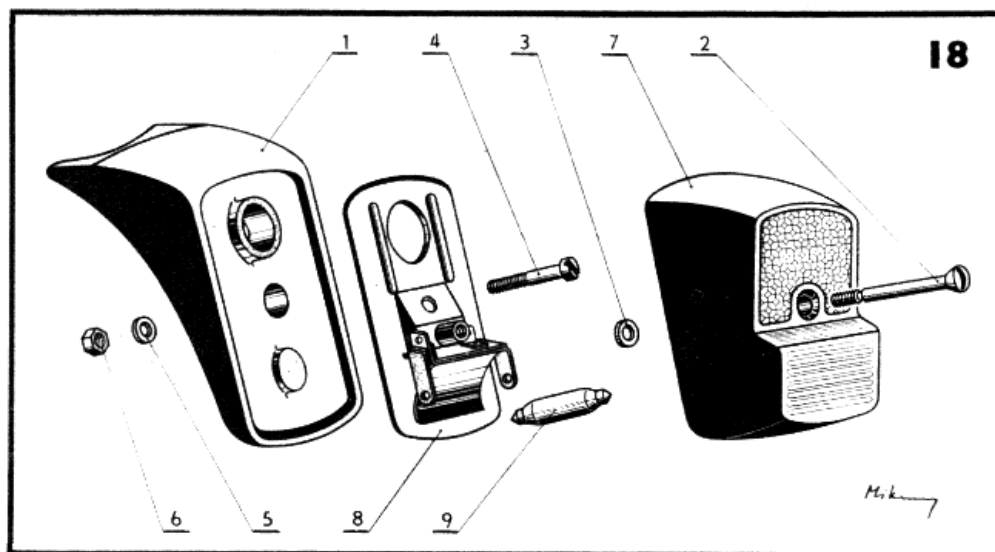
## 17. IGNITION AND CABLES

JawaMoped.com



| 1  | 2       | 3   | 4   | 5               | 6            |
|----|---------|---|-----|-----------------|--------------|
| 1  | 30-6500 | Tranzimo  | 1   | 602-908040      | incl. items  |
| 2  | 30-6514 | Transistor                                      | 1   | 602-908330      | 2—4          |
| 3  | 20220   | Screw M3 × 6<br>ČSN 021131.24                   | 2   | 974-362006      |              |
| 4  | 27406   | Washer 3,1<br>ČSN 021740.04                     | 2   | 992-740462      |              |
| 5  | 30-6573 | Cover   | 1   | 602-908141      |              |
| 6  | 62038   | Protection cup                                  | 2   | 699-914800      |              |
| 7  | 28-6234 | Conductor of plug with terminal                 | 1   | 602-036610      | incl. item 8 |
| 8  | 62039   | Cable terminal OKS 02-1                         | 1   | 199-939525      |              |
| 11 | 28-6206 | Conductor no. 15 SAY<br>1 black                 | 1   | 602-036680      |              |
| 12 | 28-6223 | Conductor no. 58c SYA<br>0,5 yellow             | 1   | 602-036681      |              |
| 13 | 62011   | Flat tube A 409-8750-06                         | 1   | 199-939660      |              |
| 14 | 62012   | Cylindr. tube<br>A 409-8750-00                  | 5   | 199-939661      |              |
| 15 | 62060   | Cylindr. pin<br>A 409-8750-50                   | 1   | 193-939650      |              |
| 16 | 01-1787 | Cable eylet                                     | 2   | 624-030801      |              |
| 17 | 30-6214 | Insulating tube PVC<br>Ø 4/5                    |     | 0,1m 930-050004 |              |
| 18 | 28-6227 | Insulating tube<br>PVC Ø 8/9                    |     | 0,5m 930-050008 |              |
| 19 | N       | Conductor SYA 1 mm <sup>2</sup><br>ČSN 347924   | 3 m | 930-004010      |              |
| 20 | N       | Conductor SYA 0,5 mm <sup>2</sup><br>ČSN 347924 | 2 m | 930-004005      |              |

## 18. REAR LAMP

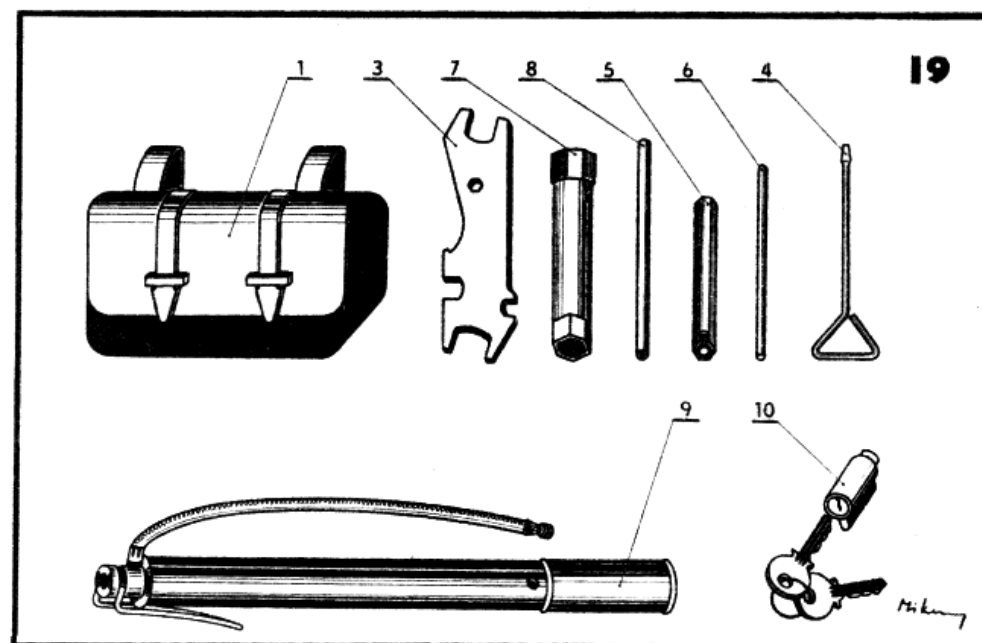


1 2 3 4 5 6

|   |              |                                    |   |            |                 |
|---|--------------|------------------------------------|---|------------|-----------------|
| — | 443312303101 | Rear lamp                          | 1 | 602-924000 | incl. items 1—8 |
| 1 | 08-4230.91   | Profile sealing                    | 1 |            |                 |
| 2 | 408-0210.10  | Screw M4 × 30 Sd8<br>ČSN 021155.80 | 1 | 602-924730 |                 |
| 3 | 08-1050.44   | Lock washer                        | 1 | 306-922801 |                 |
| 4 | 2876.82      | Screw M5 × 20 Sd8<br>ČSN 021131.81 | 1 | 602-924731 |                 |
| 5 | 2882.48      | Washer 5,3<br>ČSN 021702.04        | 1 | 602-924770 |                 |
| 6 | 2861.34      | Nut M5 ČSN 021401.20               | 1 | 602-924750 |                 |
| 7 | 408-9000.24  | Cover glass                        | 1 | 602-924220 |                 |
| 8 | 308-8320.18  | Base body                          | 1 | 602-924100 |                 |
| 9 | 60600        | Bulb C 11, 6 V, 5 W,<br>SV 8,5     | 1 |            |                 |

JawaMoped.com

## 19. TOOLS AND ACCESSORIES



1 2 3 4 5 6

|    |         |                          |   |            |
|----|---------|--------------------------|---|------------|
| 1  | 28-8030 | Bag compl.               | 1 | 602-697700 |
| 2  | 28-9000 | Tools compl.             | 1 | 602-676930 |
| 3  | 28-9003 | Combined wrench          | 1 | 602-676960 |
| 4  | 70043   | Screw driver             | 1 | 602-676950 |
| 5  | 45602   | Spanner 10<br>ČSN 230651 | 1 | N          |
| 6  | 45702   | Handle 5 ČSN 230659      | 1 | N          |
| 7  | 01-8002 | Spanner 19/21            | 1 | 9-05-058   |
| 8  | 45700   | Handle 6 ČSN 230659      | 1 | N          |
| 9  | 70019   | Air pump (353-71-100)    | 1 | 699-690701 |
| 10 | 70004   | Lock type 1304           | 1 | 699-988060 |

Published by: After Sale Service Department, Považské strojárne, n. p.,  
Považská Bystrica-CSSR