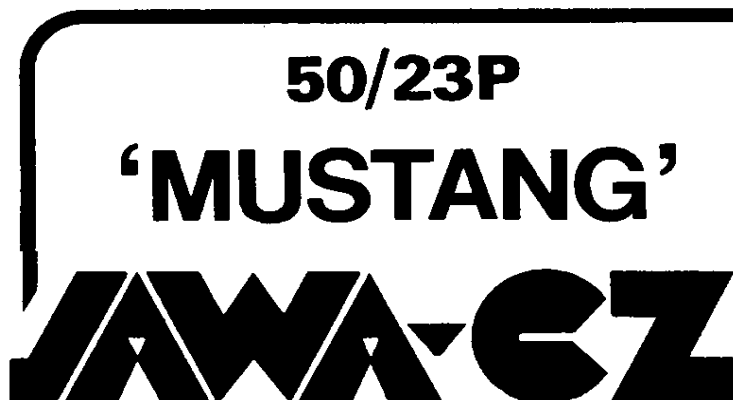


# Spare Parts List



**TABLE PISTON AND CYLINDER BARREL GRADING**

Classification of Pistons	A	B	C
STANDARD	37,95 +0,00 -0,01	37,96 +0,00 -0,01	37,97 +0,00 -0,01
I.O.S.	38,20 +0,00 -0,01	38,21 +0,00 -0,01	38,22 +0,00 -0,01
II.O.S.	38,45 +0,00 -0,01	38,46 +0,00 -0,01	38,47 +0,00 -0,01
III.O.S.	38,70 +0,00 -0,01	38,71 +0,00 -0,01	38,72 +0,00 -0,01
IV.O.S.	38,95 +0,00 -0,01	38,96 +0,00 -0,01	38,97 +0,00 -0,01

The grading diameter is measured approx. 32mm from the base of the piston.

Classification of Cylinders	A	B	C
Cylinder norm.	38,00 +0,006	38,006 +0,005	38,011 +0,005
I.O.S.	38,25 +0,006	38,256 +0,005	38,261 +0,005
II.O.S.	38,50 +0,006	38,506 +0,005	38,511 +0,005
III.O.S.	38,75 +0,006	38,756 +0,005	38,761 +0,005
IV.O.S.	39,00 +0,006	39,006 +0,005	39,011 +0,005

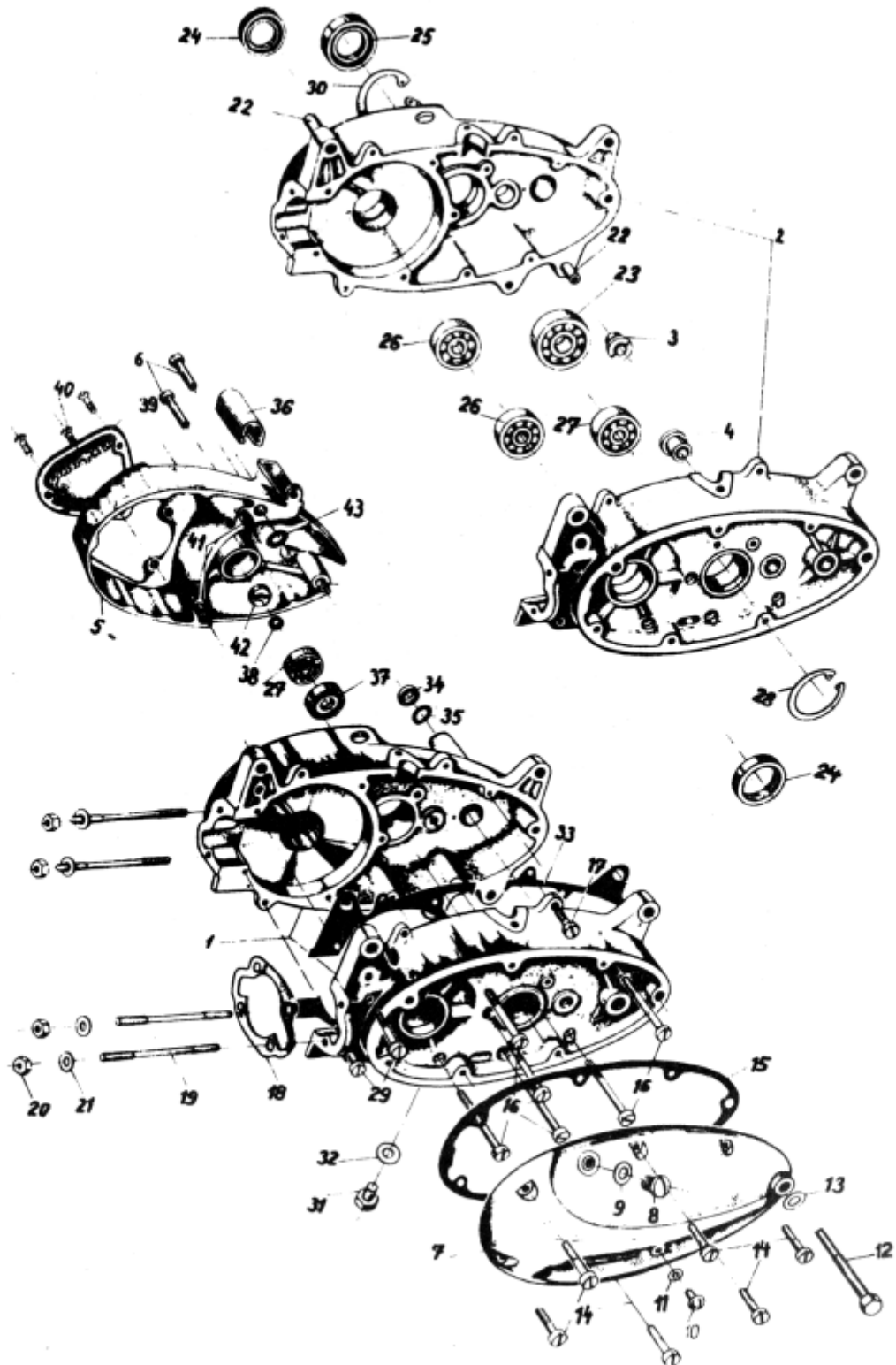
Key to columns

1 - Item  
2- Part no.

3 - Part Name  
4 - Number of Pieces

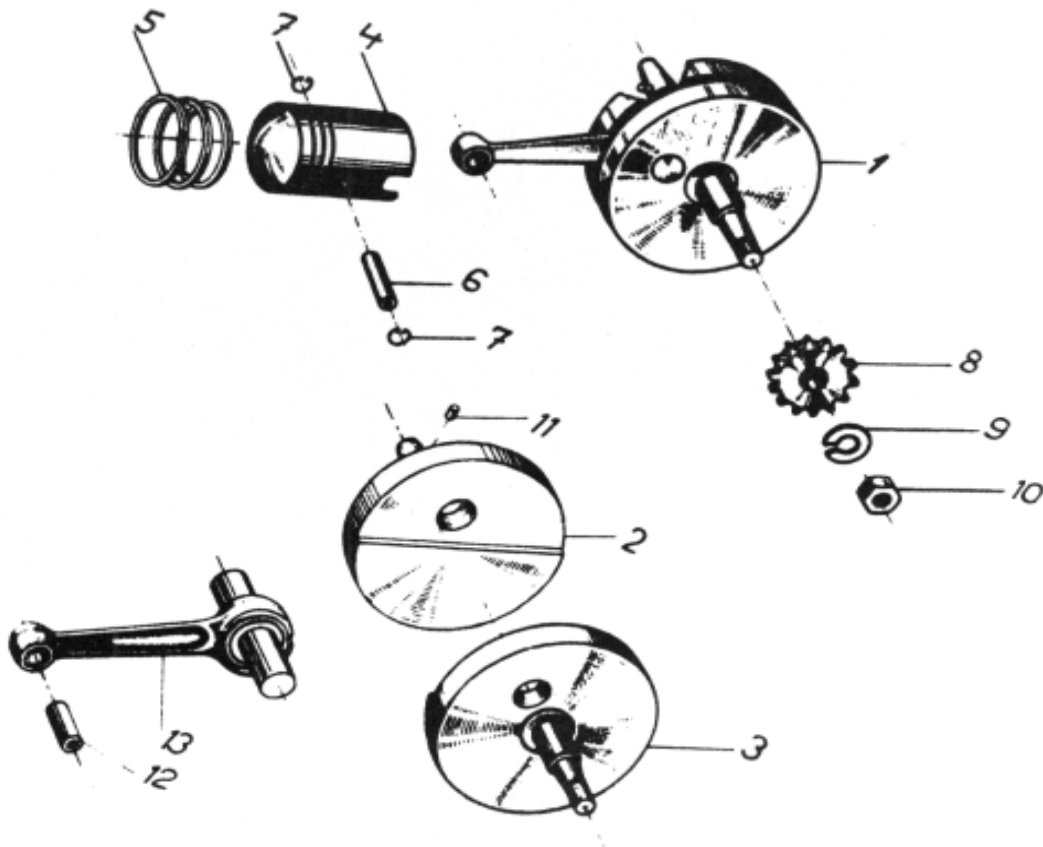
# 1. ENGINE

1	2	3	4	Alternative No.
-	223 17 025	Engine	1	
1	220 11 005	Crankcase with bearings	1	
2	220 11 004	Crankcase	1	
3	359 11 121	Bush	1	
4	550 11 212	Bush	1	
5	220 11 014	R.H. cover	1	
6	309 231 208 060	Screw M8x60 CSN 021131.25	3	
7	220 11 023	L.H. cover	1	
8	351 11 201	Screw M14x1,5	1	
9	722 923 110 203	Washer	1	01-1119
10	309 246 506 008	Screw M6x8 CSN 021146.25	1	
11	722 923 110 201	Uszczelka	1	150-11-061
12	309 201 208 080	Screw M8x80 CSN 025	1	
13	311 210 120 084	8,4 CSN 021701.05 Washer	1	
14	309 235 205 025	Screw M5x25 CSN 021135.25	6	
15	627 593 320 010	Pod levee pokrywe Gasket	1	359-11-033
16	309 231 006 050	Screw M6x50 CSN 021131.20	6	
17	309 231 206 018	Screw M6x18 CSN 021131.25	3	
18	627 593 320 060	Pod cylinder Gasket	1	05-1105
19	359 11 031	Screw	4	
20	311 120 121 060	M6 CSN 021401.25 Nut	4	
21	311 210 120 064	6,4 CSN 021701.05 Washer	4	
22	555 110 07	Bush	2	
23	324 165 040 003	6004 CSN 024633 Bearing	1	
24	273 521 003 617	dia 17x30x7 CSN 029 401.0 Seal	2	
25	273 521 006 303	dia 25x42x7 CSN 029 401.0 Seal	1	
26	324 163 030	6303 CSN 024637 Bearing	2	
27	324 165 020 003	6202 CSN 024636 Bearing	2	
28	311 173 931 900	dia 35x1,5 CSN 022931 Circlip	1	
29	309 231 206 040	Screw M6x40 CSN 021131.25	2	
30	311 173 931 900	Circlip 42x1,75 CSN 022931	1	
31	309 203 708 010	Screw M8x10 CSN 021103.25	1	
32	722 923 110 302	Washer	1	355-11-114
33	627 593 320 050	Miedzy skrzynki Gasket	1	05-1117
34	200 11 010	Washer	1	
35	273 111 010 114	Seal dia 20x16 CSN 029280.2	2	
36	321 813 110 081	Cover	1	20-1137
37	273 521 002 803	15x35x7 CSN 029401.0 Seal	1	
38	273 111 010 024	9x5 Seal	1	
39	220 11 018	Cover	1	
40	309 255 205 010	Screw M5x10 CSN 021155.25	3	
41	220 11 019	Bush	2	
42	220 11 025	Washer	1	
43	273 111 010 064	4x10 CSN 029280.2 Seal	1	



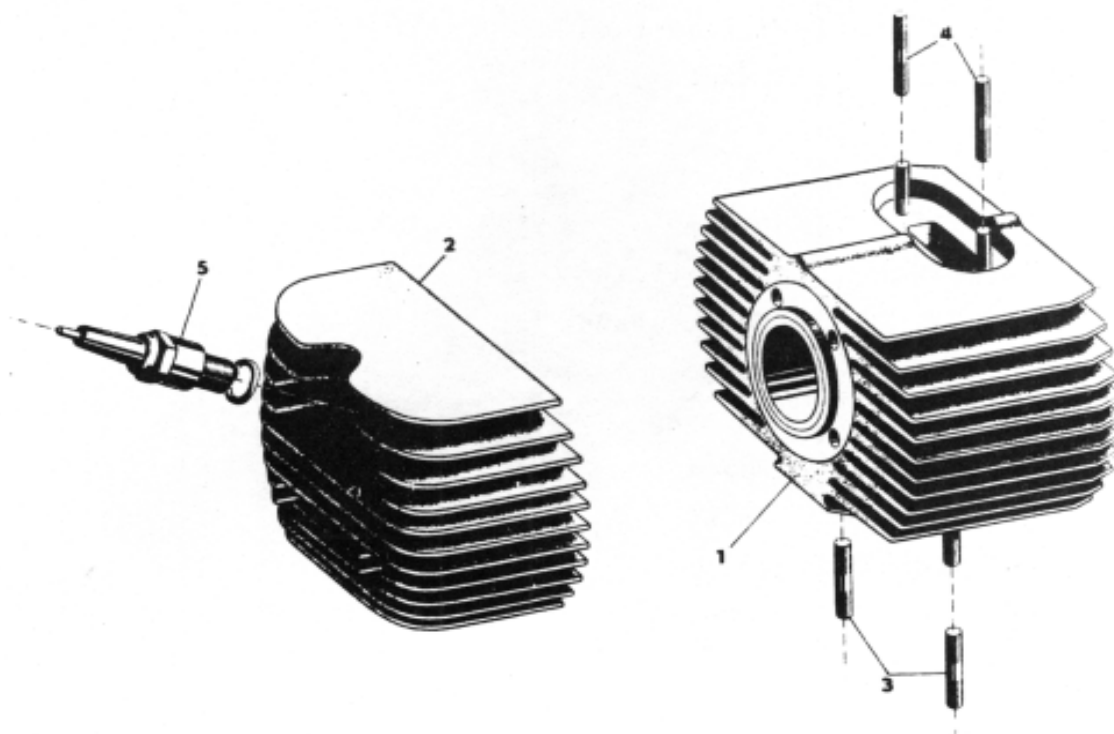
## 2. CRANKSHAFT

1	2	3	4	Alternative No.
1	220 12 002	Crankshaft	1	
2	220 12 004	R.H. crank	1	
3	220 12 005	L.H. crank	1	
4	319 231 000 260	Piston	1	20-1225
	319 321 000 261	Piston 1st O.S.		20-1226
	319 231 000 262	Piston 2nd O.S.		20-1227
	319 231 000 263	Piston 3rd O.S.		20-1228
	319 231 000 264	Piston 4th O.S.		20-1229
5	326 010 701 085	Piston rings	3	359-12-014
	326 010 701 088	Piston rings 1st O.S.		359-12-015
	326 010 701 091	Piston rings 2nd O.S.		359-12-016
	326 010 701 094	Piston rings 3rd O.S.		359-12-017
	326 010 701 097	Piston rings 4th O.S.		359-12-018
6	200 12 014	dia 14,1x30 Gudgeon pin	1	
7	200 12 015	Circlip	2	
8	200 12 016	Sprocket	1	
9	311 214 000 122	12,2 CSN 021740.00 Washer	1	
10	311 120 303 121	M12x1,5 CSN 021403.20 Nut	1	
11	355 12 033	dia 4 Pin	1	
12	200 12 012	Bush	1	
13	200 12 001	Con rod	1	



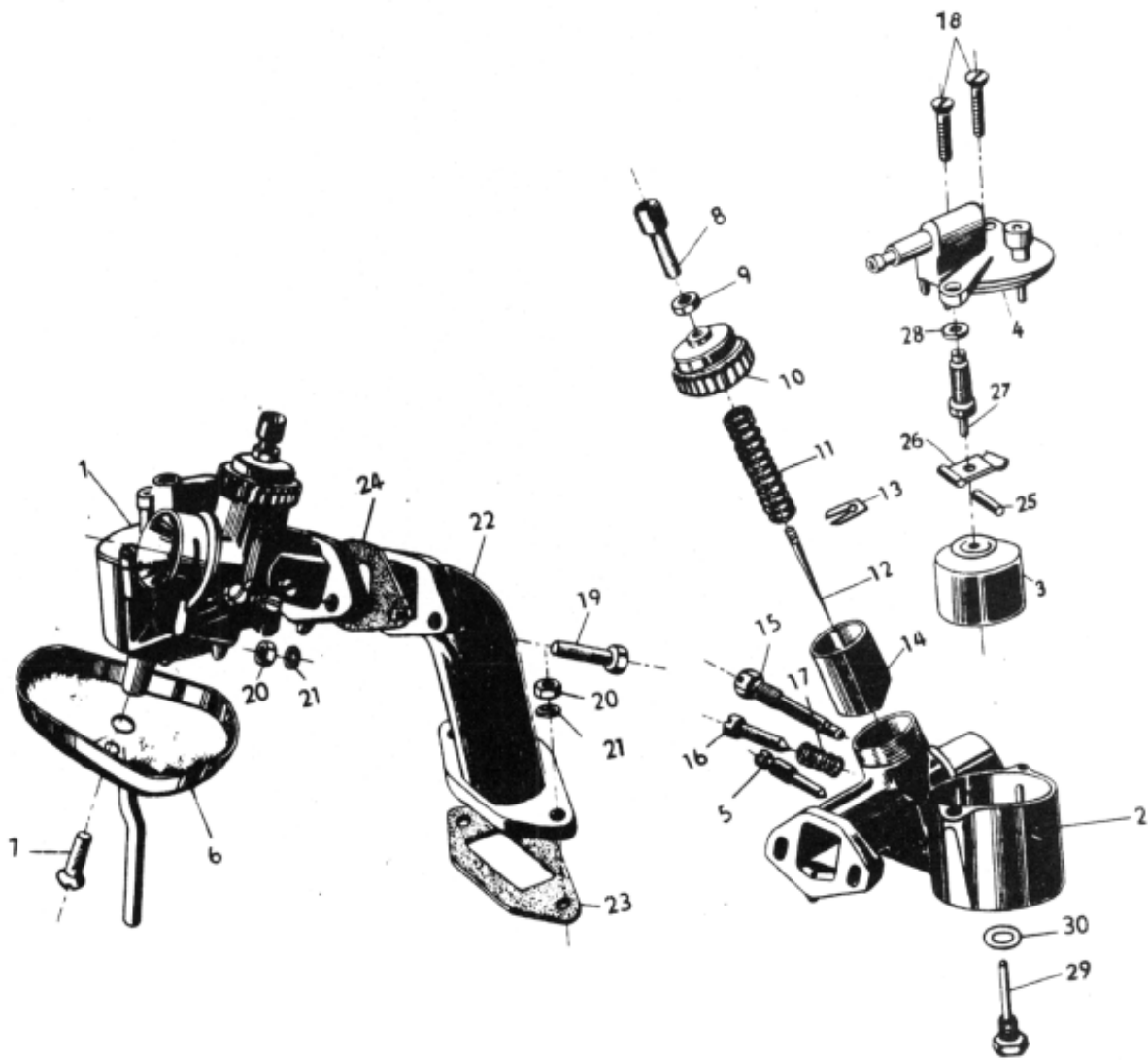
### 3. CYLINDER

1	2	3	4	Alternative No.
1	220 13 000	Cylinder	1	
2	220 13 004	Cylinder head	1	
3	309 278 206 014	M6x14 Stud CSN 02 1178.25	2	
4	309 278 205 020	M5x20 Stud CSN 03 1178.25	2	
5	Not supplied			



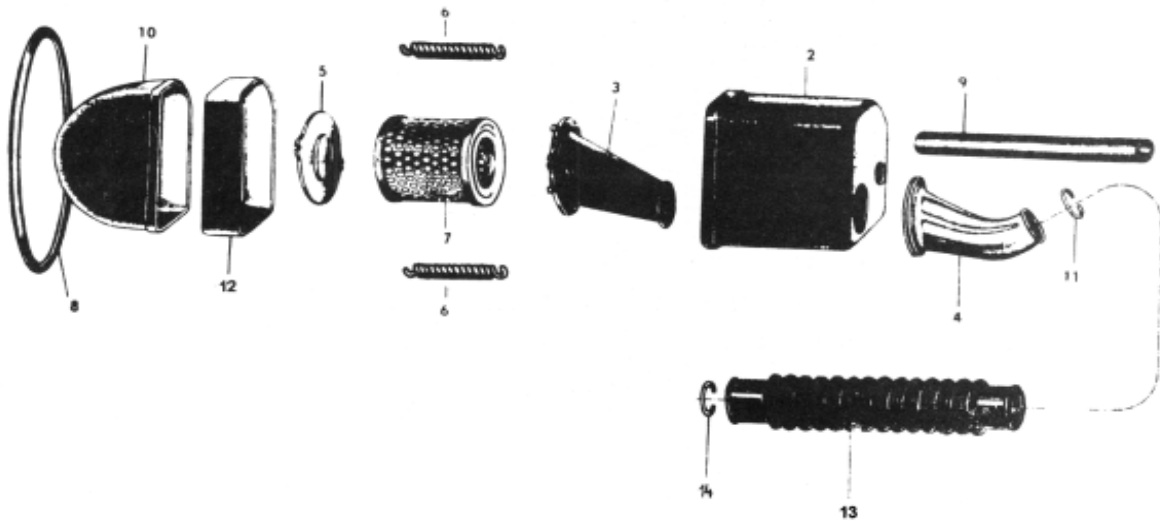
## 6. CARBURETTER

1	2	3	4	Alternative No.
1	443 752 273 900	2917 PSb Carburetter	1	
2	443 919 370 113	Carburetter body	1	
3	443 919 460 118	Float	1	
4	443 919 371 107	Float chamber top	1	
5	443 913 303 800	Screw	1	
6	200 04 014	Drip tray	1	
7	309 255 205 008	Screw M5x8 CSN 02 1155.24	1	
8	443 911 033 603	Cable guide	1	
9	443 911 300 114	M6 Nut	1	
10	433 917 060 902	Mixing chamber top	1	
11	443 911 340 271	Spring	1	
12	443 912 090 607	Il.z.sk. Valve needle	1	
13	443 916 013 701	Circlip	1	
14	443 917 370 434	Slade	1	
15	443 911 106 800	Main jet	1	
16	443 911 012 301	Adjusting screw	1	
17	443 911 340 123	Spring	1	
18	443 911 010 801	Screw M4x14	2	
19	309 205 205 020	Screw M5x20 CSN 02 1105.25	2	
20	311 120 121 050	M5x20 CSN 02 1401.25 Nut	4	
21	311 214 020 051	5,1 CSN 02 1740.05 Washer	4	
22	220 04 013	Stub	1	
23	278 432 130 003	Gasket	1	05-1506
24	627 593 320 020	Gasket	1	20-1541
25	443 912 010 230	Axle	1	
26	443 916 045 501	Suspension	1	
27	443 919 340 113	Valve	1	
28	443 916 250 248	dia 2,5x5,5 /fibre/wahser	1	
29	443 919 343 504	Screw	1	
30	443 916 250 127	dia 10x6,2 /fibre/washer	1	



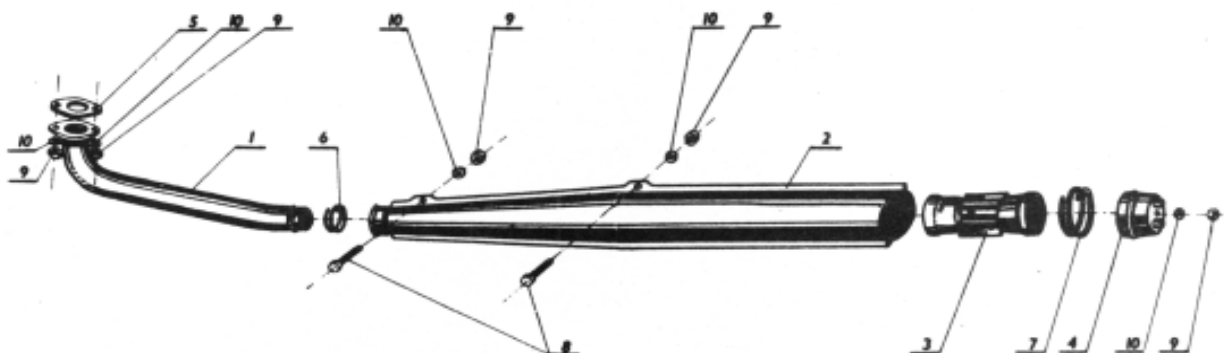
#### 4. AIR FILTER

1	2	3	4	Alternative No.
-	223 04 015	Air filter compl.	1	
2	223 04 014	Filter bowl	1	
3	200 04 002	Intake	1	
4	200 04 003	Elbow	1	
5	200 04 004	Cap	1	
6	315 111 154 494	Spring	2	20-1550
7	627 936 510 104	dia 70 Filter	1	70023
8	273 239 012 724	Rubber band	2	55025
9	220 04 031	Guide	1	
10	223 04 013	Housing	1	
11	223 04 002	Circlip	1	
12	277 212 300 000	Joint	1	05-1524
13	273 124 010 374	Bellows	1	23-1506
14	223 04 003	Circlip	1	



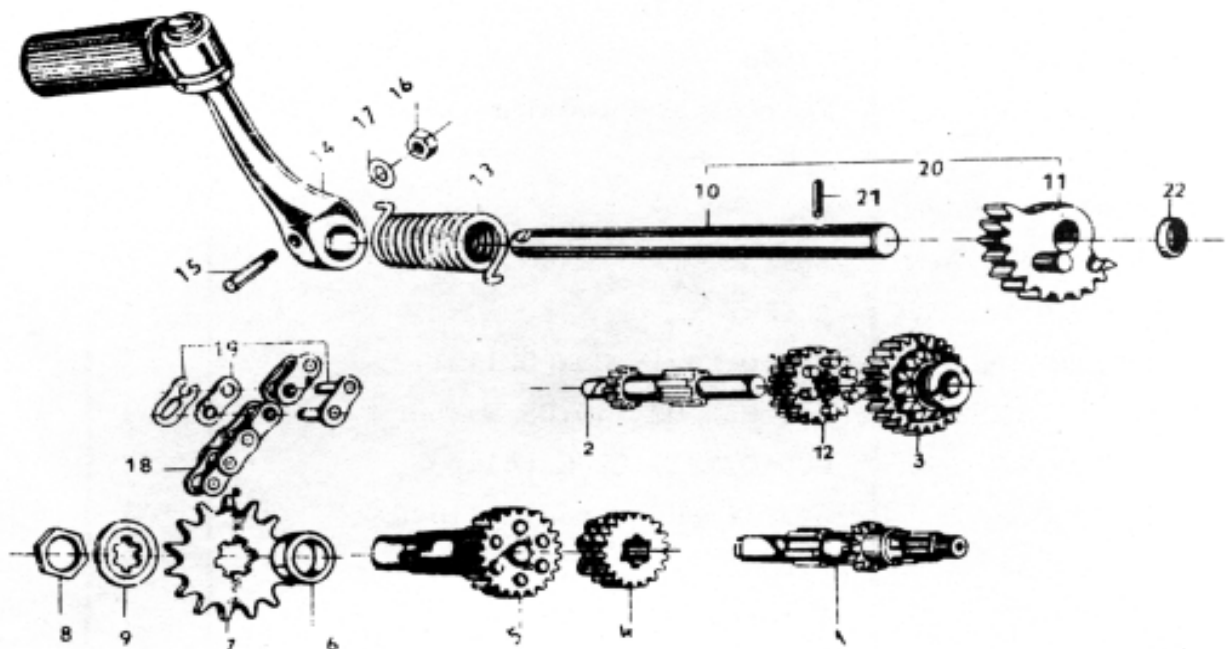
#### 5. EXHAUST SYSTEM

1	2	3	4	Alternative No.
-	220 01 035	Exhaust complete	1	
1	223-1664	Exhaust pipe	1	
2	220 01 036	Silencer	1	
3	220 01 043	Insertion	1	
4	220 01 050	Endpiece	1	
5	278 442 110 012	Gasket	1	359-00-035
6	200 01 027	Seal 2x250	1	
7	220 01 053	Seal 2x400	1	
8	309 203 206 014	Screw M6x14 CSN 021103.25	2	
9	311 120 121 060	M6 CSN 021401.25 Nut	5	
10	311 214 020 061	6,1 CSN 02 1740.05 Washer	5	



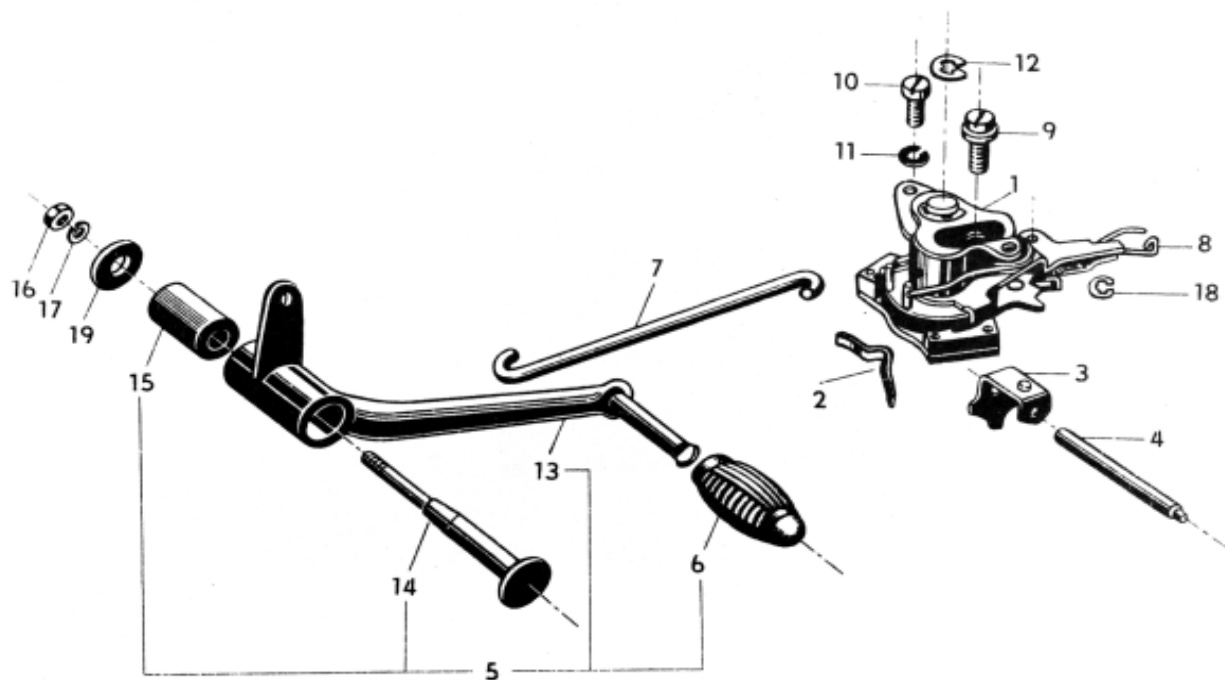


1	2	3	4	Alternative No.
1	220 22 008	Main shaft	1	
2	220 22 009	Lay shaft	1	
3	220 22 001	13.z., 23.z. 1st Gear	1	
4	220 22 011	20.z. 2nd Gear	1	
5	220 22 005	Driving gear with hub	1	
6	359 22 037	Ring	1	
7	220-1661	11 z. Sprocket	1	
8	555 56 302	M20x1,5 Nut	1	
9	220-1665	Circlip	2	
10	220 25 003	Shaft	1	
11	220 25 010	Ratchet	1	
12	220 22 012	2nd Gear	1	
13	315 111 154 464	Spring	1	550-22-046
14	550 22 030		1	
15	543 901 030 077	Cotter pin	1	359-22-058
16	311 120 121 060	M6 CSN 021401.25 Nut	1	
17	311 210 120 064	6,4 CSN 021701.05 Washer	1	
18	318 111 062 114	1x12,7x5,21x111 Chain	1	
19	318 911 100 920	1x12, 7x5, 21 Connecting link	1	
20	220 25 001	Segment and shaft	1	
21	311 515 006 022	dia 6x22 CSN 022150.2	1	
22	200 11 010	Washer	1	



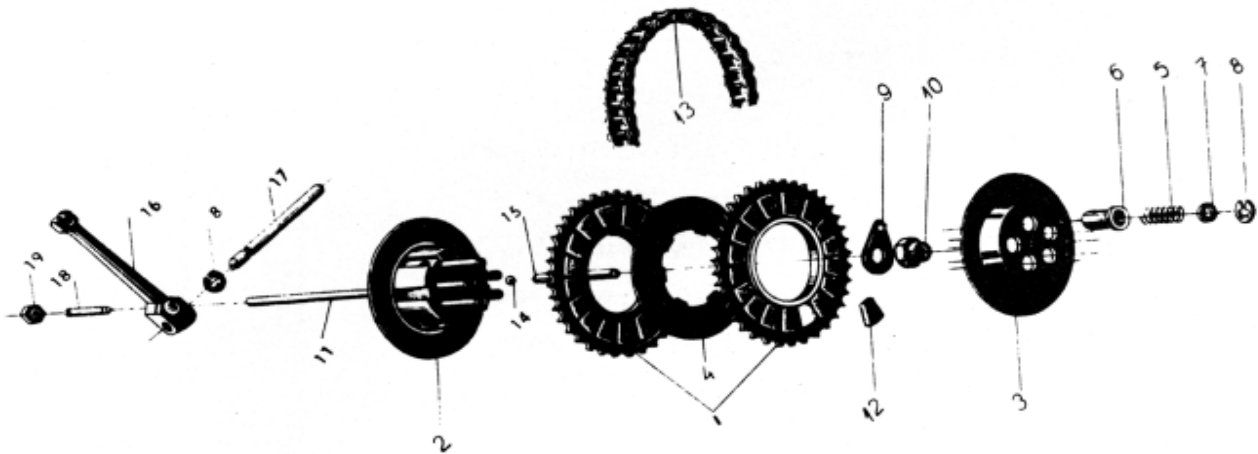
## 8. FOOT GEAR CHANGE MECHANISM

1	2	3	4	Alternative No.
1	220 24 011	Gear change mech.	1	
2	220 24 031	Spring	1	
3	359 2 4010	Fork complete	1	
4	220 24 001	Guide	1	
5	220 24 023	Gear change pedal complete	1	
6	321 831 014 000	Pedal rubber	1	355-24-012
7	200 24 002	Rod	1	
8	315 111 156 644	Spring	1	550-24-135
9	550 10 012	Buffer	1	
10	309 231 206 018	Screw M6x18 CSN 021131.25	1	
11	311 214 020 061	6,1 CSN 021740.05 Washer	1	
12	311 732 900 090	CSN 022929.02 Circlip	1	
13	220 24 024	Gear change pedal welded	1	
14	220 24 026	Pin	1	
15	273 211 002 900	Insert	1	20-2430
16	311 120 121 080	M8 CSN 021401.24 Nut	1	
17	311 214 020 082	8,2 CSN 021740.04 Washer	1	
18	311 732 900 060	dia 6 Circlip	1	
19	311 210 120 084	8,4 CSN 021701.05 Washer	1	



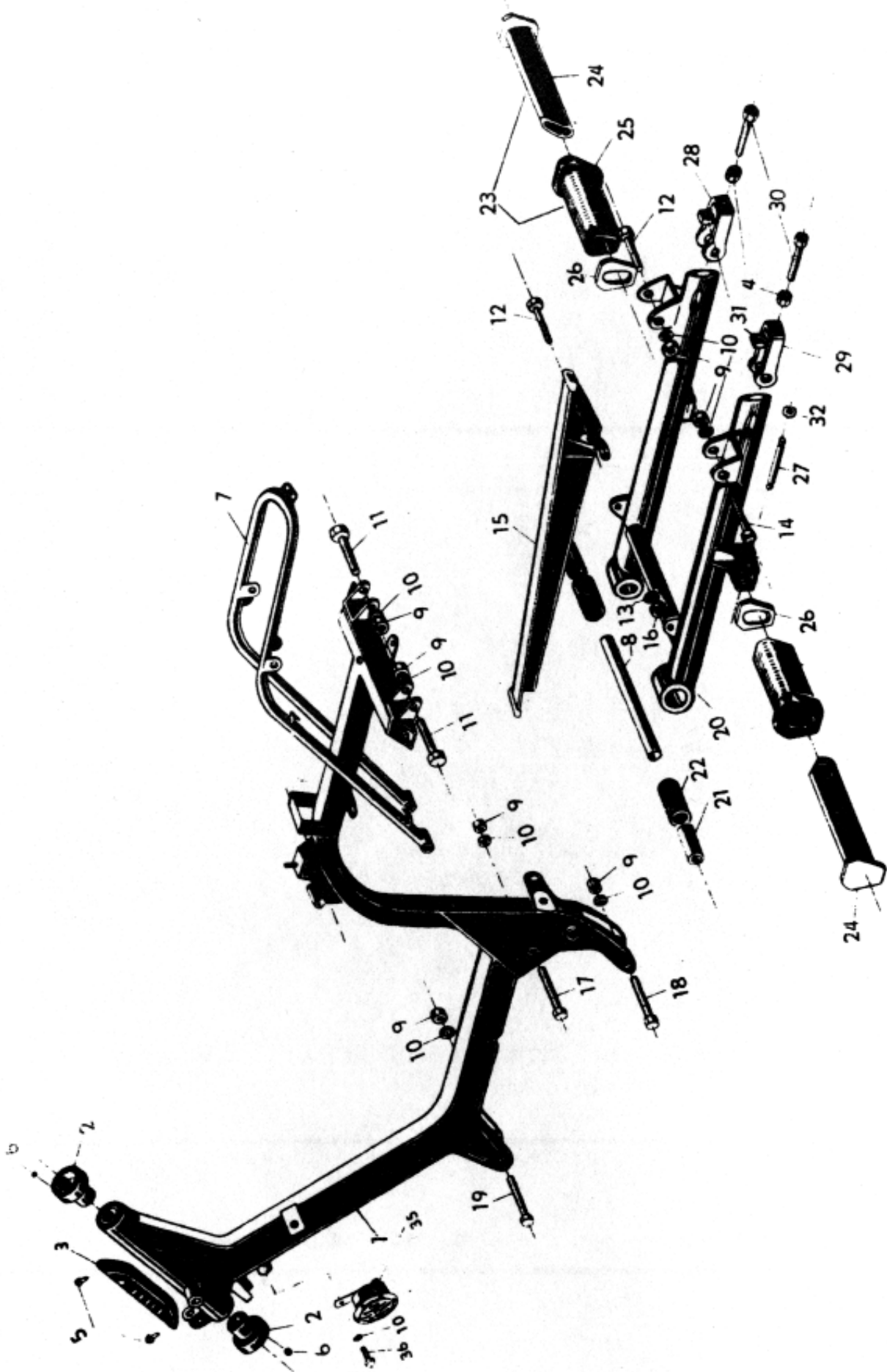
## 9. CLUTCH

1	2	3	4	Alternative No.
1	200 21 001	Clutch chainwheel complete	1	
2	200 21 003	Fixed plate	1	
3	200 21 007	Pressure plate	1	
4	200 21 009	Plate	1	
5	315 111 156 624	Spring	5	05-2112
6	200 21 011	Cup	5	
7	359 28 043	Washer	5	
8	311 732 900 040	dia 4 Circlip	6	
9	200 21 012	Plate	1	
10	200 21 013	Nut	1	
11	200 21 016	Clutch operating rod	1	
12	359 28 013	Cork insert	32	
13	318 311 921 944	Primary chain 1x9,525x9, 525x44	1	
14	324 912 050 052	dia 5 CSN 023680 Ball	1	
15	220 21 018	Rod	1	
16	220 21 014	Lever	1	
17	220 21 017	Lever pin	1	
18	220 21 015	Grub screw	1	
19	311 120 321 060	M6 CSN 021403.25 Nut	1	



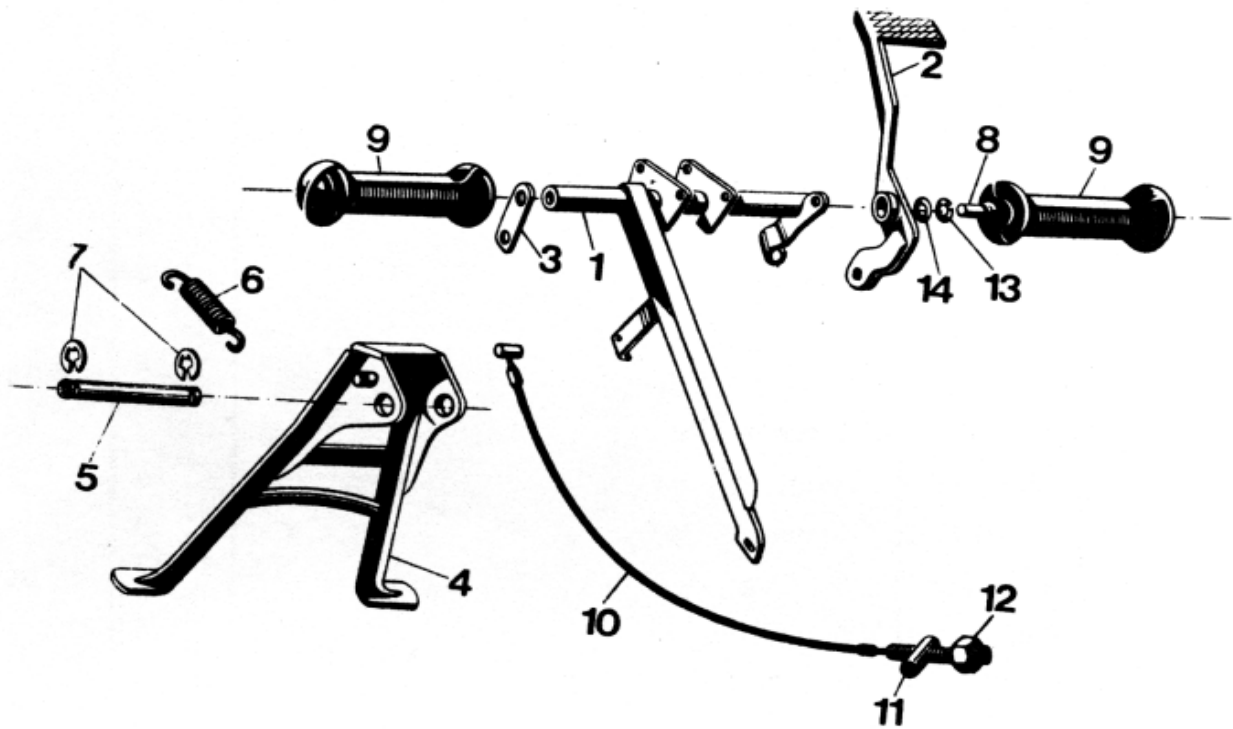
**10. FRAME**

1	2	3	4	Alternative No.
-	223 39 082	Frame with rear fork	1	
1	223 36 083	Frame welded	1	
2	359 31 011	Cup	2	
3	23-3009	Ident. plate	1	
4	311 120 121 060	M6 CSN 021401.25 Nut	2	
5	311 519 503 006	dia 3x6 CSN 022195.02 Pin	2	
6	324 912 050 052	dia 5 CSN 023680 Ball	42	
7	223 30 010	Support	1	
8	200 30 003	Pin	1	
9	311 120 121 080	M8 CSN 021401.25 Distance Piece	8	
10	311 214 020 082	Washer	8	
11	309 201 20 045	Screw M8x45 CSN 021101.25	3	
12	309 203 205 012	Screw M5x12 CSN 021103.25	1	
13	311 214 020 051	5,1 CSN 021740.05 Washer	1	
14	309 201 208 050	Screw M8x50 CSN 021101.25	1	
15	220 03 005	Chain guard	1	
16	311 120 121 050	M5 CSN 021401.25 Washer	1	
17	309 201 208 090	Screw M8x30 CSN 021101.25	1	
18	309 201 20 060	Screw M8x60 CSN 021101.25	2	
19	309 201 208 040	Screw M8x40 CSN 021101.25	1	
20	220 32 000	Pivoted fork	1	
21	220 32 013	Spacer	2	
22	273 211 220 574	dia 20x30x27,5 Bush	2	05-3211
23	220 37 065	Footrest	2	
24	200 37 001	Footrest pin	2	
25	220 37 064	Footrest rubber	2	
26	200 30 007	Washer	2	
27	220 30 006	Pin	2	
28	200 56 014	R. H. Adjuster	1	
29	200 56 016	L. H. Adjuster	1	
30	309 203 206 035	Screw M6x35 CSN 021103.24	2	
31	311 131 601 060	M6 CSN 021416.00 Nut	2	
32	311 732 900 040	CSN 022929.02 Circlip	4	
35	223 60 676	Horn	1	LP 89
36	309 208 708 010	Screw M8x10 CSN 021103.25	1	
-	01-6052	Tightening Strip	1	
-	13724	Speedo Cable Holder	1	



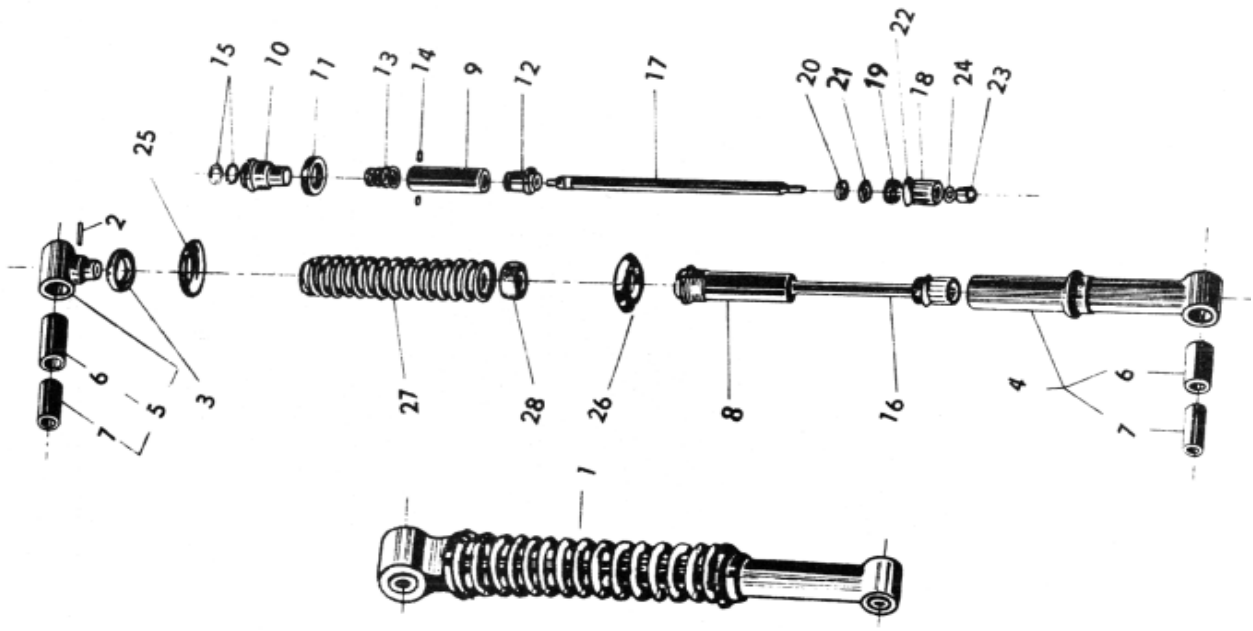
**10A. FOOTRESTS AND STAND**

1	2	3	4	Alternative No.
1	223 37 001	Footrest bracket	1	
2	221 37 043	Brake lever	1	
3	200 37 042	Exhaust bracket	1	
4	220 37 050	Centre stand	1	
5	220 37 052	Pin	1	
6	315 111 154 444	Spring	1	05.0024
7	311 732 900090	9 CSN 022929 Circlips	2	
8	555 37 024	Footrest pin	2	
9	273 151 220 002	Footrest rubber	2	353-37-071
10	223 39 081	Bowden cable	1	
11	200 37 022	Roller	1	
12	200 37 023	Nut	1	
13	311 214 020 122	12,2 CSN 021740.05 Washer	2	
14	311 201 120 130	13 CSN 021701.05 Washer	1	



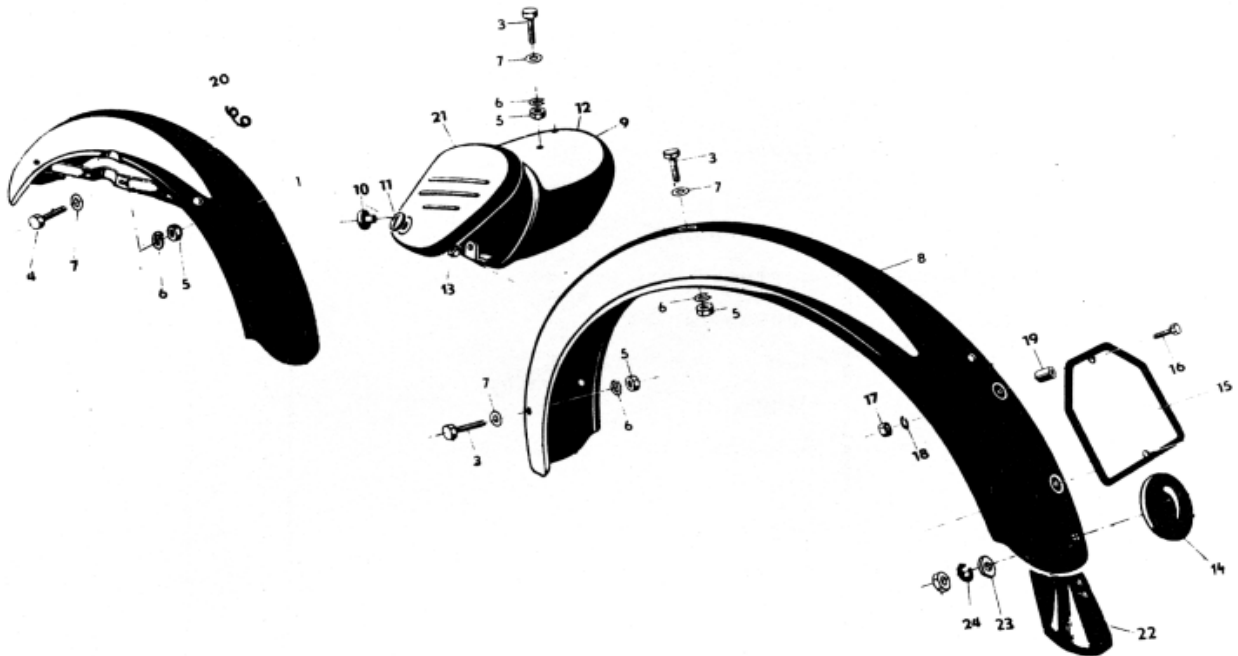
**10B. REAR SUSPENSION**

1	2	3	4	Alternative No.
1	443 622 428 801	Rear suspension complete		223-35-005
2	311 515 002 512	2,5x12 CSN 022150.2 Peg	2	
3	200 35 001	Washer	2	
4	200 35 003	Cylinder complete	2	
5	200 35 031	Top bush complete	2	
6	273 211 003 470	Insert	4	05-3421
7	200 35 009	Spacer	4	614-358090
8	443 990 623 009		2	05-3405
9	443 992 100 002	Bush	2	05-3406
10	443 991 420 001	Cock screw	2	05-3431
11	321 841 703 065	Ring	2	05-3411
12	443 992 200 003	Grommett	2	05-3408
13	315 111 154 424	Spring	2	05-3409
14	200 35 014	Peg	4	
15	273 111 010 064	14x10 Seal	4	
16	200 35 018	Piston	2	
17	200 35 019	Rod	2	
18	200 35 020	Piston	2	
19	722 51 211 203	Sleeve	2	05-3415
20	722 651 047 000	/PVC/Stop	2	05-3416
21	200 35 022	Washer	2	
22	200 35 030	Washer	2	
23	200 35 024	Washer	2	
24	311 212 720 070	7 CSN 021721.0 Washer	2	
25	223 35 007	Top cover	2	
26	223 35 008	Bottom cover	2	
27	223 35 006	Chrome spring	2	
28	273 211 209 584	Stop	2	05-3420



# 11. COWLS

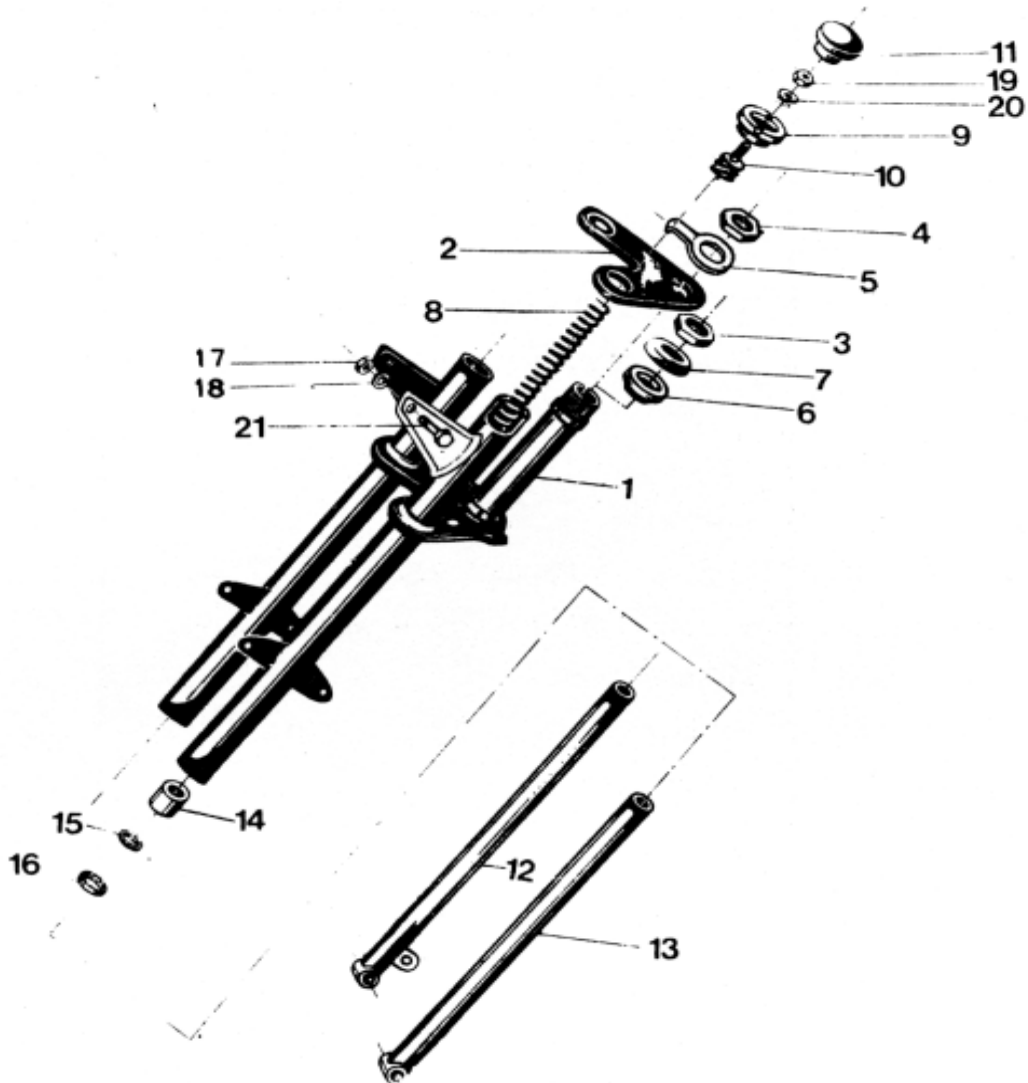
1	2	3	4	Alternative No.
1	223 43 005	Front mudguard	1	
3	309 203 206 012	Screw M6x12 CSN 021103.25	5	
4	309 203 206 014	Screw M6x14 021103.25	4	
5	311 120 121 060	M6 CSN 021401.25 Nut	10	
6	311 214 020 061	6,1 CSN 021740.05 Washer	10	
7	311 210 120 064	6,4 CSN 021701.05 Washer	9	
8	223 33 000	Rear mudguard	1	
9	223 36 000	Tool box comp.	1	
10	273 114 996 510	Rubber buffer	1	20-0023
11	223 36 011	Bolt	1	
12	223 36 Oil	Tool box	1	
13	311 120 321 060	M6 CSN 021403.25 Nut	1	
14	321 823 731 021	Reflector	1	
15	223 39 083	Number plate	1	
16	309 255 205 022	Screw M5x22 CSN 021155.25	2	
17	311 120 121 050	M5 CSN 021401.25 Nut	2	
18	311 214 020 051	5,1 CSN 021740.05	2	
19	223 33 002	Distance Piece	2	
20	315 184 202 614		1	555-40-011
21	223 36 007	Fastening eye	1	
24	311 210 120 053	5,3 CSN 021701.05 Washer	1	





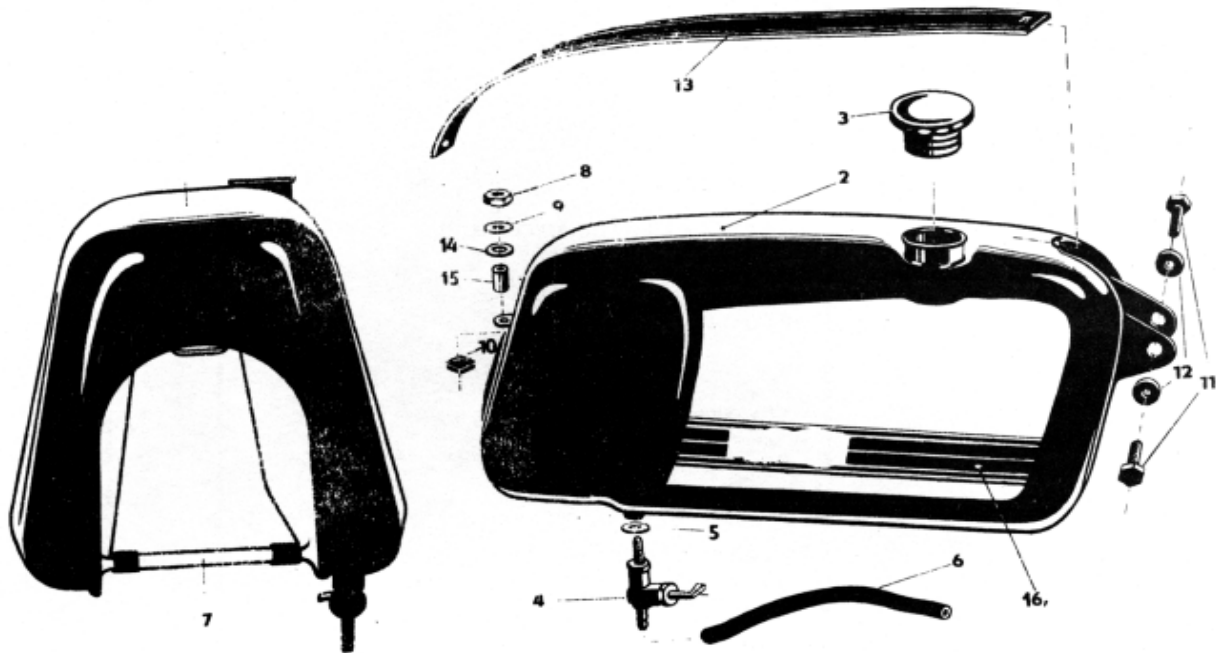
## 12. FRONT FORKS

1	2	3	4	Alternative No.
1	223 41 051	Front fork	1	
2	220 40 006	Top plate	1	
3	200 40 008	Nut	1	
4	220 40 018	Nut	1	
5	220 40 010	Tabwasher	1	
6	359 41 034	Cone	2	
7	223 40 001	Seal washer	1	
8	315 311 154 414	Spring	2	359-41-162
9	220 41 029	Cupwasher	2	
10	359 41 132	Cap	2	
11	228 40 018	Plug	2	
12	220 41 016	R.H. Plunger	1	
13	220 41 018	L.H. Plunger	1	
14	321 841 703 072	Nylon bush	4	359-41-114
15	273 111 014 094	22x2 CSN 02981.2 Seal	2	
16	220 41 015	Ring	2	
17	311 120 321 080	M8 CSN 021403.25 Nut	4	
18	311 210 120 084	8,4 CSN 021701.25 Washer	2	
19	311 120 121 060	6 CSN 021401.25 Nut	2	
20	311 214 020 061	6,1 CSN 021740.05 Washer	2	
21	309 203 208 025	Screw M8x25 CSN 021103.25	2	



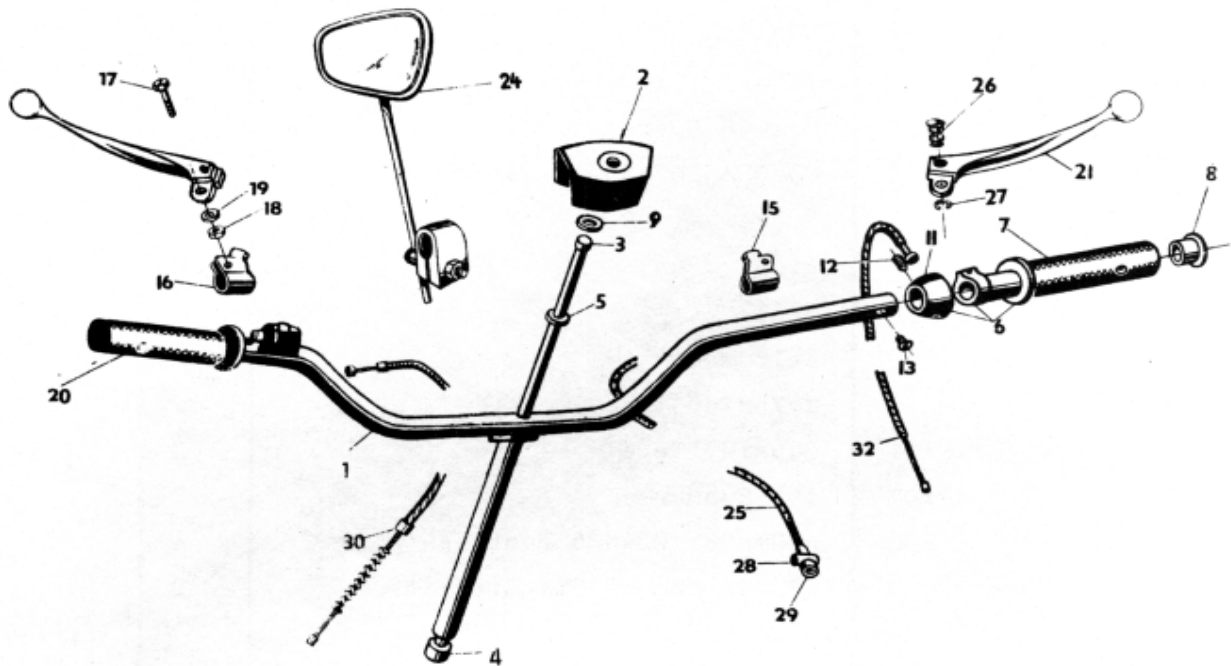
### 13. FUEL TANK

1	2	3	4	Alternative No.
2	223 39 042	Tank	1	
3	200 38 001	Tank cap	1	
4	443 761 279 100	Tap	1	
5	443 916 250 133	Washer	1	
6	223 38 016	II dia 5,5/8,5x220 Pipe	1	
7	223 38 014	I doa 4, 5/7,5x100 Balance pipe	1	
8	311 120 121 060	M6 CSN 021401.25	1	
9	311 212 602 064	6,4 CSN 021726.15 Washer	1	
10	223 00 001	Washer	1	
11	309 203 708 010	Screw M8x10 CSN 021103.25	2	
12	223 08 000	8,2 CSN 021740.05 Washer	2	
13	223 38 028	Rubber strip	1	N
14	273 114 003 565	Washer	1	359-30-012
15	353 46 062	Tube	1	
16	LP 85	Decal	1	



# 14. HANDLEBARS

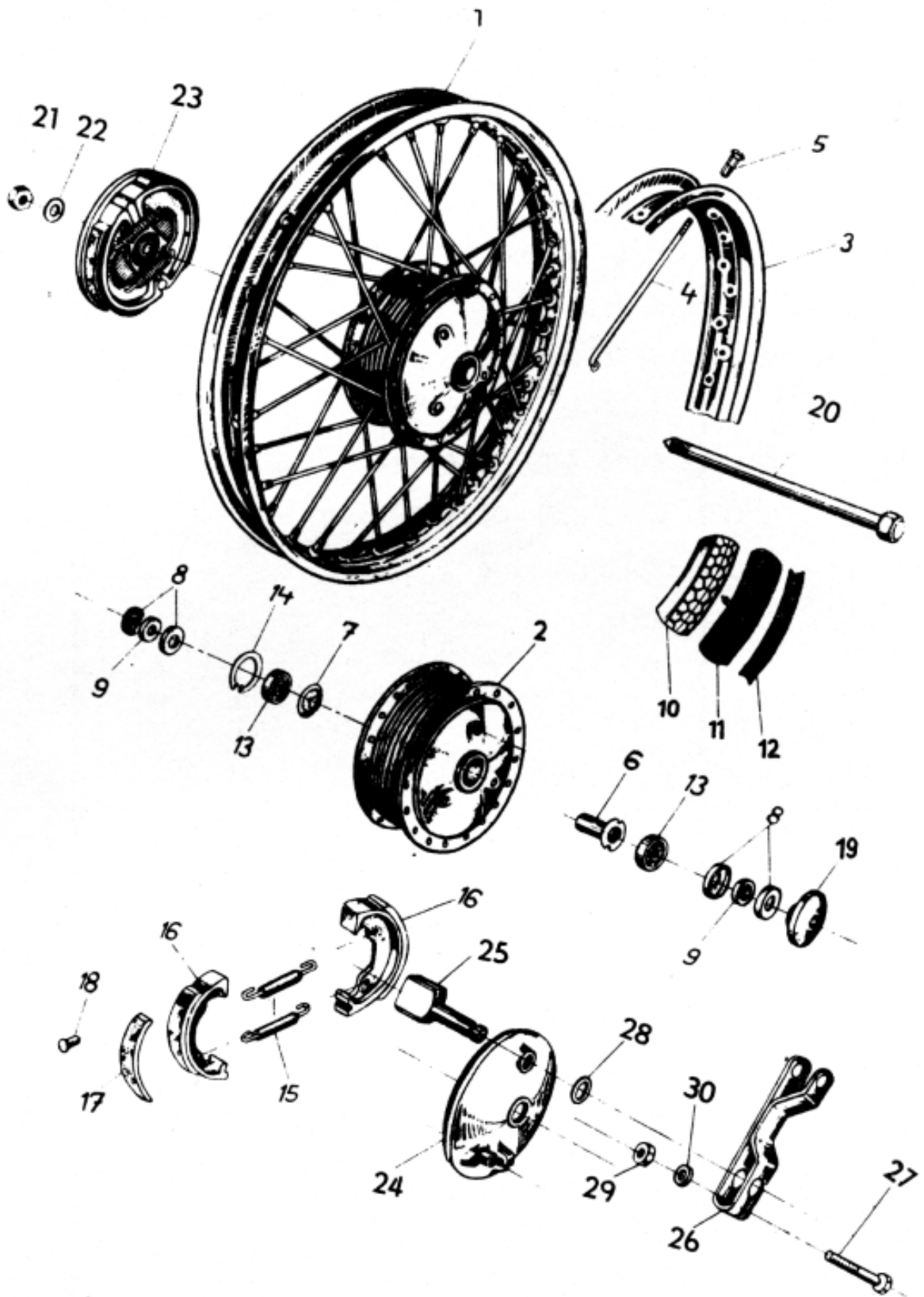
1	2	3	4	Alternative No.
-	223 47 033	Handlebars comp.	1	
1	220 46 041	Handlebars	1	
2	207 46 003	Cowl	1	
3	228 46 007	Spindle bolt	1	
4	550 46 022	Taper spindle	1	
5	311 210 120 084	8,4 CSN 021701.05 Washer	1	
6	236 46 005	Twist grip complete	1	
7	236 46 014	Tube	1	
8	236 46 013	Plug	1	
9	220 46 058	Washer	1	
11	236 46 009	Throttle sleeve	1	
12	309 285 505 008	Screw M5x8 CSN 021185.25	2	
13	309 255 205 010	Screw M5x10 CSN 021155.25	1	
15	555 46 052	Brake lever sleeve	1	
16	220 46 002	Clutch lever sleeve	1	
17	309 231 205 020	Screw M5x20	2	
18	311 120 121 050	M5 CSN 021401.25 Nut	2	
19	311 214 020 051	5,1 CSN 021740.05 Washer	2	
20	321 831 001 000	Fixed handlebar grip	1	
	/353-46-202/			
21	228 46 041	Lever	2	
25	221 46 055	Front brake cable	1	
26	228 46 011	Adapter	2	
27	315 181 200 044	8 CSN 02 2925.02 Circlip	2	
28	200 37 022	Roller	1	
29	200 37 023	Nut	1	
30	220 46 052	Clutch cable	1	
32	200 46 030	Throttle cable	1	



## 15. FRONT AND REAR WHEEL

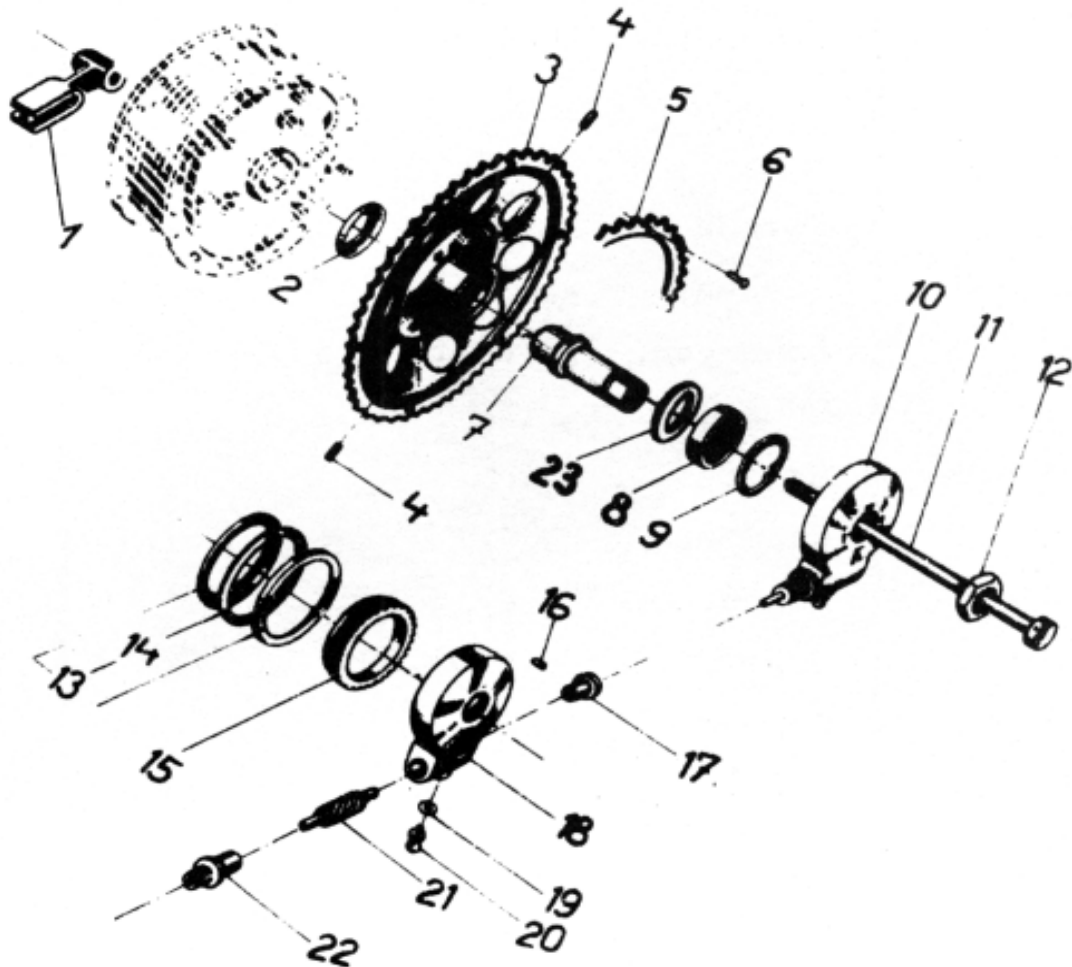
JawaMoped.com

1	2	3	4	Alternative No.
1	200 51 002	Hub with rim	2	
2	200 51 003	Hub	2	
3	555 51 114	1,5x16" rim	2	
4	555 51 116	M3x148 Spoke	72	
5	311 935 320 030	M3 ONA 307653.11 Spoke nut	72	
6	555 51 020	Spacer	2	
7	555 51 041	Ring	2	
8	555 51 236	Seal	4	
9	685 931 001 200	Felt seal	4	551-51-043
10	274 123 321 251	2,75x16" Tyre	2	
11	274 423 311 111	2,5x16" Tube	2	
12	274 612 131 107	16" Rubber	2	
13	324 162 010 000	6201 CSN 024636 Bearing	4	
14	311 173 931 900	32x1,2 CSN 022931 Circlip	2	
15	315 111 154 474	Spring	4	359-51-235
16	555 51 210	Brake shoe complete	4	
17	278 623 003 003	Brake lining	4	
18	311 693 003 010	3x10 CSN 022330.30 Rivet	20	
19	555 51 010	Plug	1	
20	200 51 011	Axle	1	
21	311 120 223 121	M12x1,5 CSN 021402.25 Nut	2	
22	311 214 020 122	12,2 CSN 021740.05 Washer	2	
23	200 51 005	Brake comp.	2	
24	200 51 006	Brake cover	2	
25	200 51 008	Brake cam	2	
26	200 51 009	Lever	2	
27	309 201 105 028	Screw M5x28 CSN 021101.25	2	
28	273 211 009 550	Washer	2	05-4034
29	311 120 121 050	M5 CSN 021401.25 Nut	2	
30	311 210 120 053	5,3 CSN 021701.05 Washer	2	



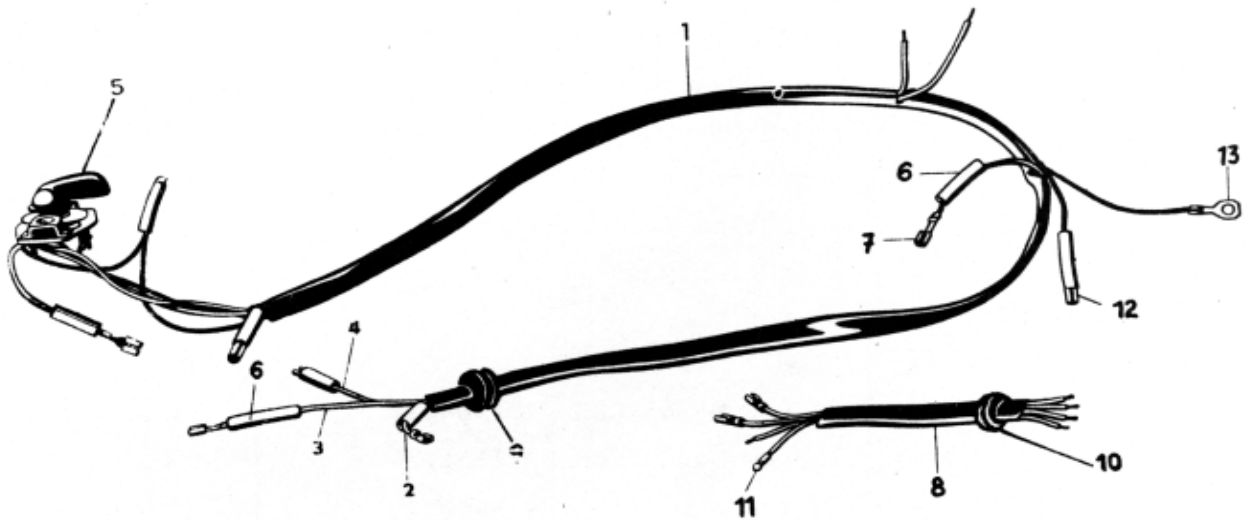
# 16. REAR WHEEL AND SPEEDOMETER DRIVE

1	2	3	4	Alternative No.
1	555 56 331	Brake torque anchor	1	
2	273 112 250 544	Seal	1	20-4307
3	220 56 036	Chainwheel comp.	1	
4	311 515 003 006	Peg 3x6	2	
5	359 56 105	Chainwheel	1	
6	311 610 104 010	4x10 CSN 022301.00 Rivet	6	
7	220 56 037	Hub	1	
8	324 165 040 000	6004 CSN 024633 Bearing	1	
9	311 173 931 900	\$ 42 CSN 022931 Ring	1	
10	200 56 011	Spedo drive	1	
11	200 56 002	Axle	1	
12	555 56 302	Nut	1	
13	555 56 410	Seal	1	
14	685 931 002 700	Felt seal	1	555-56-407
	/555-56-407/			
15	555 56 402	21z. Driving gear	1	
16	311 515 603 020	3x20 CSN 022156 Peg	1	
17	555 56 405	Plug	1	
18	200 56 012	Speedo drive housing	1	
19	555 56 408	Fibre washer	1	
20	425 111 211 027	M6 CSN 027421 Grease nipple	1	
21	555 56 403	Work	1	
22	555 56 404	Bush	1	
23	220 56 038	Seal	1	

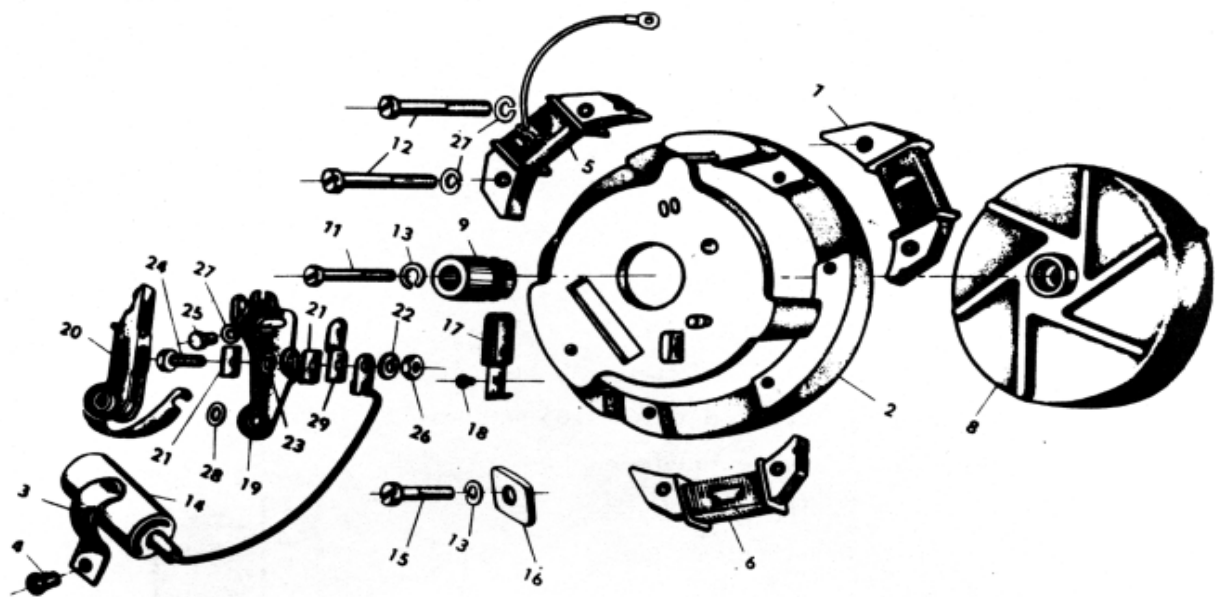


**17. ELECTRIC HARNESS**

1	2	3	4	Alternative No.
1	223 60 651	Leads with switch	1	
2	223 60 121	nr.58a/58b Lead	2	
3	220 60 027	Lead	1	
4	220 60 026	Lead	1	
5	443 861 441 070	Switch	1	
6	228 60 015	Sleeve	10	
7	443 858 006 032	Connector 5,5 A-409-8750.06	7	
8	223 60 421	Conduit	1	
9	273 121 120 030	Grommet	1	
10	62109	Grommet	1	
11	443 858 008 002	Connector 409 8750.50	7	
12	443 858 000 012	Connector 409.8750.00	3	
13	200 60 037	Connector	2	
14	443 993 200 006	6,5 Connector	1	359-60-123
-	223 60 652	Real Lead	1	
-	223 60 656	Holder	1	
-	70005	Belt	1	
-	23-6733	Resistens TR 506	2	
-	223-1612	Diod KY 721	2	

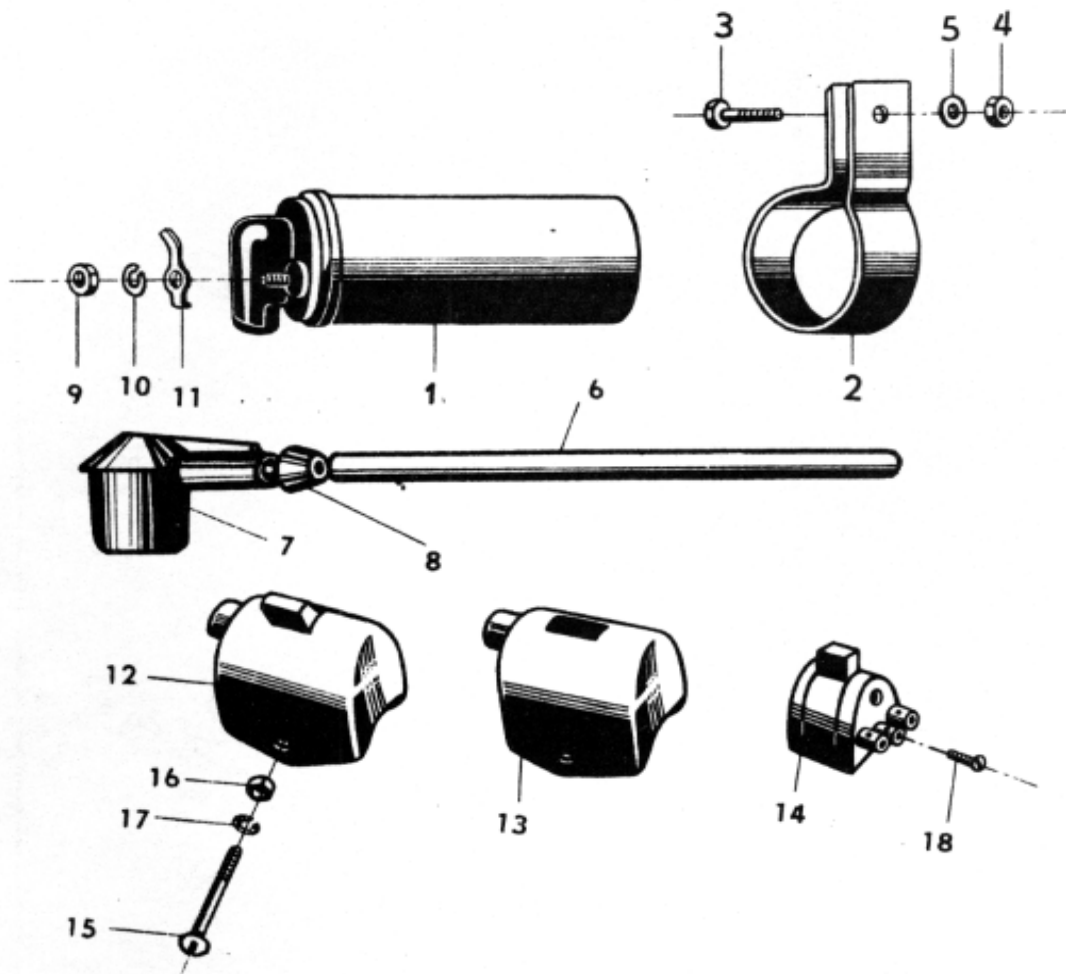


1	2	3	4	Alternative No.
-	223 61 200	Magneto complete	1	220-1700
-			1	2201701
2	220 61 216	Stator body	1	20-6128
3	443 994 100 001	Condenser clip	1	05-6127
4	311 610 103 006	\$3x6 CSN 02 2301.30 Rivet		
5	443 990 133 010	Ignition pole	1	20-6154
6	223 61 212	Lighting pole II	1	2201703
7	223 61 211	Lighting pole 1	1	220-1702
8	443 990 133 011	Rotor	1	20-6170
9	443 990 203 006	Cam	1	05-6125
11	309 205 20 045	Screw M5x45 CSN 02 1105.24	1	
12	309 231 204 030	Screw M4x30 CSN 02 1131.24	6	
13	311 214 020 051	5,1 CSN 02 1174.04 Washer	3	
14	371 325 120 200	Condenser	1	
15	309 231 205 028	Screw M5x28 CSN C2 1131.24	2	
16	443 993 200 005	Rest	2	359-61-012
17	443 990 401 002	Felt wiper	1	
18	311 610 102 006	2x6 Rivet	1	
19	443 930 230 020	Contact holder	1	355-61-240
20	443 930 23 240	Contact breaker arm	1	355-61-260
21	443 993 001 001	Insulating washer	2	355-61-211
22	311 214 42 041	4,1 CSN 021 733.04 Washer	1	
23	443 992 00 002	Insulating washer	1	355-61-212
24	309 203 204 012	Screw M4x12 CSN 021103.24	1	
25	309 231 204 008	Screw M4x8 CSN 021131.24	1	
26	311 120 121 040	M4 CSN 021401.24 Nut	1	
27	311 213 320 043	4,3 CSN 021733.04 Washer	7	
28	355 61 214	Washer	1	
29	443 990 203 005	Connector	1	05-6124



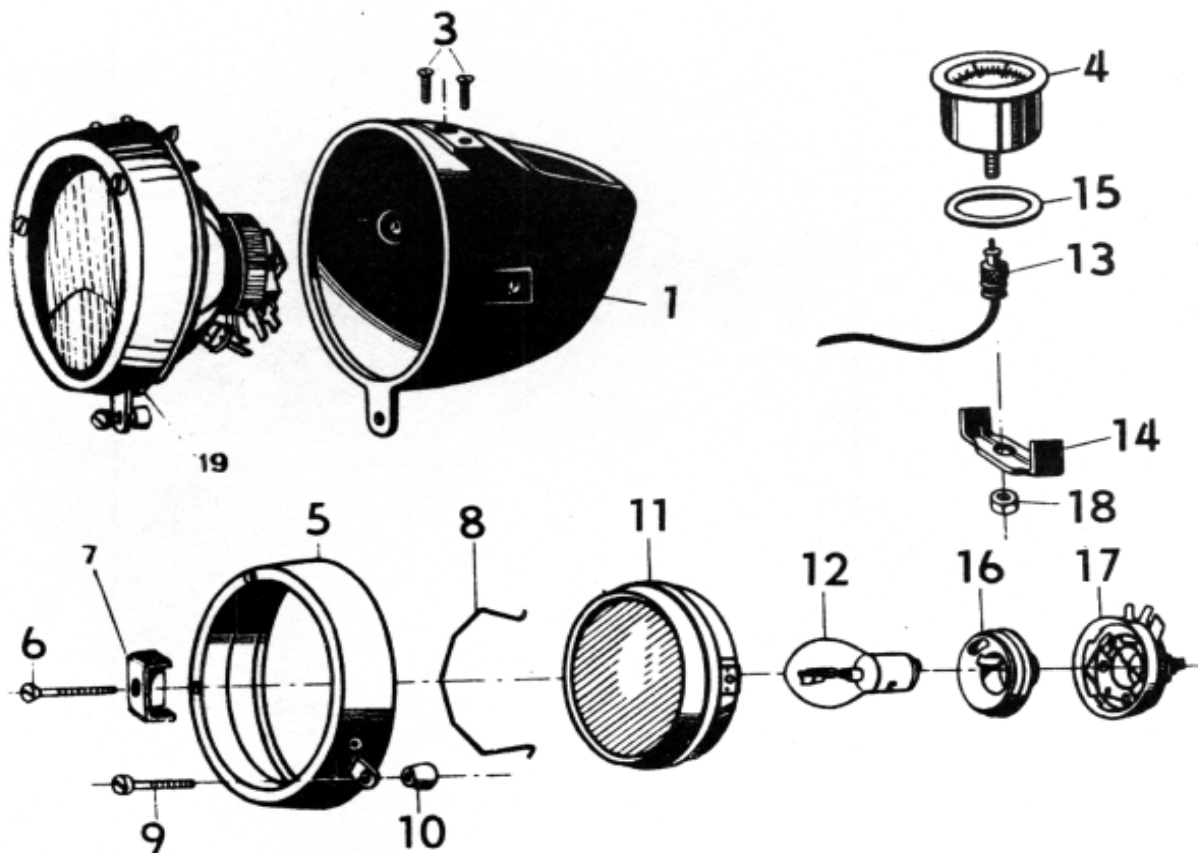


	2	3		Alternative No.
	443 212 210 302	8 V Coil	1	
2	223 66 001	Clip	1	
3	309 203 206 016	Screw M6x16 CSN 021103.25	1	
4	311 120 121 060	M6 CSN 021401.25 Nut	1	
5	311 214 020 061	6,1 CSN 021740.05 Washer	1	
6	223 66 002	H.T. Cable	1	
7	371 511 34 000	Plug cap	1	
8	273 912 696 202	Sleeve	1	
9	311 120 121 050	M5 CSN 021401.25 Nut	2	
10	311 214 020 051	5,1 CSN 021740.05 Washer	2	
11	443 950 521 686	Tab connector	2	
12	220 65 000	Dip switch	1	
13	220 65 001	Switch cover	1	
14	550 65 150	Dipswitch body	1	
15	309 246 203 528	Screw M3,5x28 CSN 021146.25	1	
16	311 120 151 035	M3,5 CSN 021401.25 Nut	1	
17	311 214 020 036	3,6 CSN 021740.05 Washer	1	
18	309 285 503 004	Screw M3x4 CSN 021185.25	3	
N.I	LP 88	Battery	1	



## 20. HEADLAMP

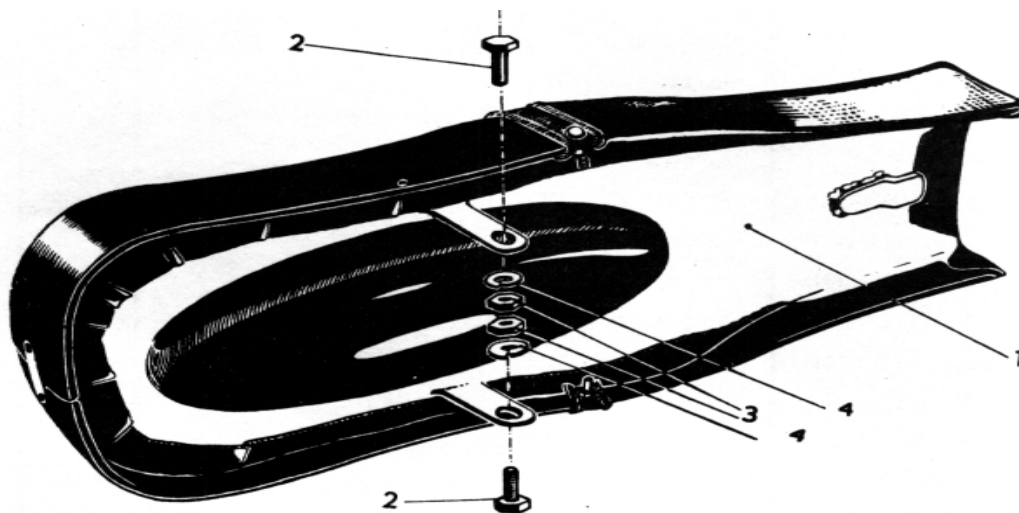
1	2	3	4	Alternative No.
-	223 42 000	Headlamp complete	1	
1	223 42 001	Headlamp shell	1	
3	309 255 204 008	Screw M4x8 CSN 02 1155	2	
4	443 400 000	dia 48/80 Speedometer	1	
5	443 948 112 012	Rim	1	
6		Screw M4x35 CSN 02 1155.84	2	
7	443 954 221 004	Rest	2	
8	443 954 500 010	Clip	1	
9	443 951 460 002	Screw	1	
10	443 954 701 503	Distance piece	1	
11	443 958 311 002	Reflector	1	
12	60002	6V/15/15W Bulb	1	
13	443 441 053 080		1	555-30-005
	/555-30-005/			
14	223 42 005	Clip	1	
15	273 113 063 360	Washer	1	555-40-010
	/555-40-010/			
16	443 954 705 001	Bulb holder	1	
17	443 958 310 502	Contacts	1	
18	443 950 958 002	M 10x1 Nu5	1	
19	443 311 102 101	Headlamp rim and reflector	1	



## 21. SEAT

JawaMoped.com

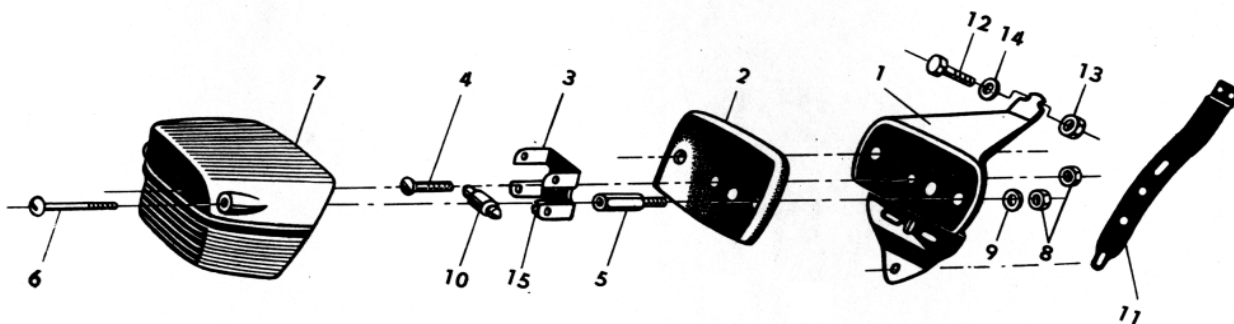
1	2	3	4	Alternative No.
1	223 77 005	Seat complete	1	
2	309 203 208 016	Screw M8x16 021103.25	2	
3	311 120 121 080	M8 CSN 021401.25 Nut	2	
4	311 214 020 082	8,2 CSN 021740.05 Washer	2	



## 22. REAR LAMP

JawaMoped.com

1	2	3	4	Alternative No.
-	223 68 002	Rear lamp complete	1	
1	223 68 001	Mudguard bracket	1	
2	273 114 996 420	Lamp back	1	05-7225
3	220 68 001	Bulb holders	1	
4	309 251 204 012	Screw M4x12 CSN 021151.25	1	
5	200 68 005	Screw	2	
6	309 231 204 035	Screw M4x35 CSN 021105.25	2	
7	636 524 210 009	Lens	1	05-7219
8	311 120 121 030	M4 CSN 021401.25 Nut	3	
9	311 214 420 041	4,1 CSN 021740.05 Washer	3	
10	347 226 132 340	6V/5W S8 Bulb	1	
11	223 33 001	Bracket	1	
12	309 203 206 014	Screw M6x14 CSN 021103.25	2	
13	311 120 121 060	M6 CSN 021401.25 Nut	2	
14	311 210 120 064	6,4 CSN 021701.05 Washer	2	
15	321 841 703 066	Insulator	2	05-7229
-	60503	Bulb 6V 15W	1	



### 23. TOOLS AND TYRE INFLATOR

1	2	3	4	Alternative No.
1	220 75 000	Set of tools	1	
2	723 321 060 422	PVC bag	1	
3	549 633 011 000	1304 Lock	1	
4	220 75 015	32x27 Spanner	1	
5	200 75 012	Box spanner	1	
6	555 71 024	Box spanner	1	
7	359 71 010	Feelers	1	
8	413 336 002 600	Tyre levers	2	
9	413 935 371 011	Screwdriver	1	
10	228 75 002	Combination spanner	1	
H	549 900 006 700	Screwdriver	1	
12	555 710 23	5 CSN 230659 Tommy bar	1	
13	413 531 035 001	Inflator	1	

